

Silicon NPN Darlington Power Transistors

2SD1895

DESCRIPTION

- With TO-3PFa package
- High DC current gain
- Low collector saturation voltage
- Complement to type 2SB1255

APPLICATIONS

- Power amplification
- Optimum for 90W high-fidelity output applications

PINNING

PIN	DESCRIPTION
1	Base
2	Collector
3	Emitter

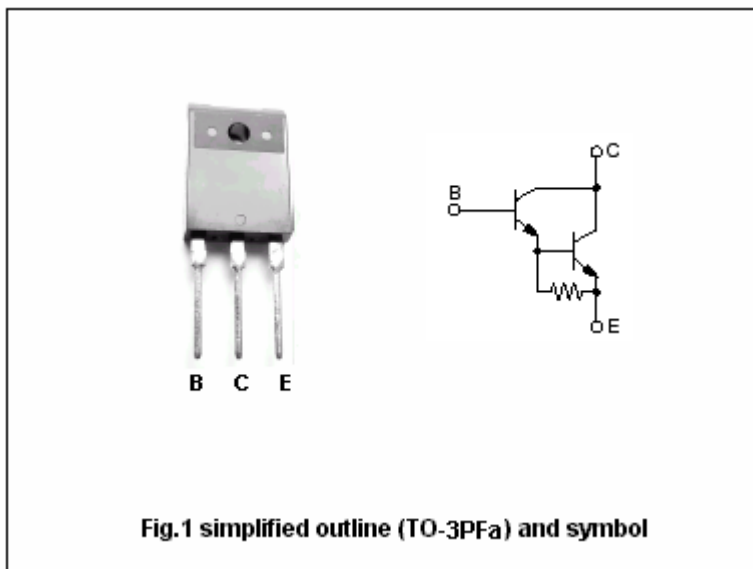


Fig.1 simplified outline (TO-3PFa) and symbol

Absolute maximum ratings(Ta=25°C)

SYMBOL	PARAMETER	CONDITIONS	VALUE	UNIT
V <sub>CBO</sub>	Collector-base voltage	Open emitter	160	V
V <sub>CEO</sub>	Collector-emitter voltage	Open base	140	V
V <sub>EBO</sub>	Emitter-base voltage	Open collector	5	V
I <sub>C</sub>	Collector current		15	A
I <sub>CP</sub>	Collector current-peak		8	A
P <sub>C</sub>	Collector power dissipation	T <sub>C</sub> =25°C	100	W
			3	
T <sub>j</sub>	Junction temperature		150	°C
T <sub>stg</sub>	Storage temperature		-55~150	°C

## Silicon NPN Darlington Power Transistors

2SD1895

## CHARACTERISTICS

T<sub>j</sub>=25°C unless otherwise specified

SYMBOL	PARAMETER	CONDITIONS	MIN	TYP.	MAX	UNIT
V <sub>(BR)CEO</sub>	Collector-emitter breakdown voltage	I <sub>C</sub> =30mA ; I <sub>B</sub> =0	140			V
V <sub>CEsat</sub>	Collector-emitter saturation voltage	I <sub>C</sub> =7A ; I <sub>B</sub> =7mA			2.5	V
V <sub>BEsat</sub>	Base-emitter saturation voltage	I <sub>C</sub> =7A ; I <sub>B</sub> =7mA			3.0	V
I <sub>CBO</sub>	Collector cut-off current	V <sub>CB</sub> =160V ; I <sub>E</sub> =0			100	μA
I <sub>CEO</sub>	Collector cut-off current	V <sub>CE</sub> =140V ; I <sub>B</sub> =0			100	μA
I <sub>EBO</sub>	Emitter cut-off current	V <sub>EB</sub> =5V ; I <sub>C</sub> =0			100	μA
h <sub>FE-1</sub>	DC current gain	I <sub>C</sub> =1A ; V <sub>CE</sub> =5V	2000			
h <sub>FE-2</sub>	DC current gain	I <sub>C</sub> =7A ; V <sub>CE</sub> =5V	5000		30000	
f <sub>T</sub>	Transition frequency	I <sub>C</sub> =0.5A ; V <sub>CE</sub> =10V ; f=1MHz		20		MHz

## Switching times

t <sub>on</sub>	Turn-on time	I <sub>C</sub> =7A ; V <sub>CC</sub> =50V I <sub>B1</sub> =-I <sub>B2</sub> =7mA		2.0		μs
t <sub>stg</sub>	Storage time			6.0		μs
t <sub>f</sub>	Fall time			1.2		μs

◆ h<sub>FE-2</sub> classifications

Q	P
5000-15000	8000-30000

Silicon NPN Darlington Power Transistors

2SD1895

PACKAGE OUTLINE

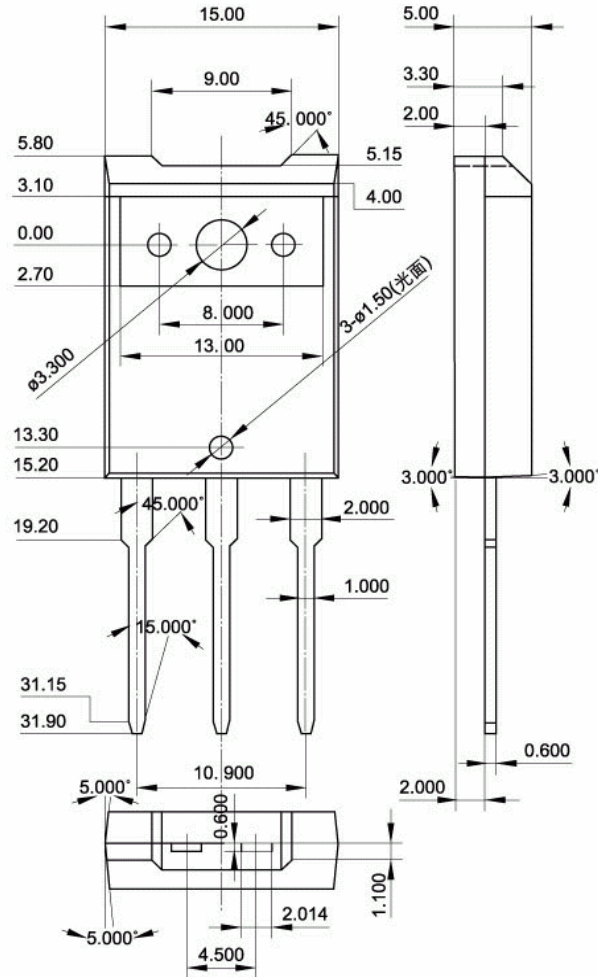


Fig.2 Outline dimensions (unindicated tolerance:±0.30mm)