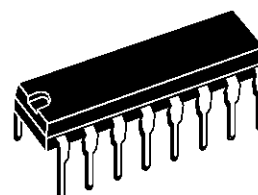


**DUAL POWER AMPLIFIER**

- SUPPLY VOLTAGE DOWN TO 3 V
- LOW CROSSOVER DISTORSION
- LOW QUIESCENT CURRENT
- BRIDGE OR STEREO CONFIGURATION



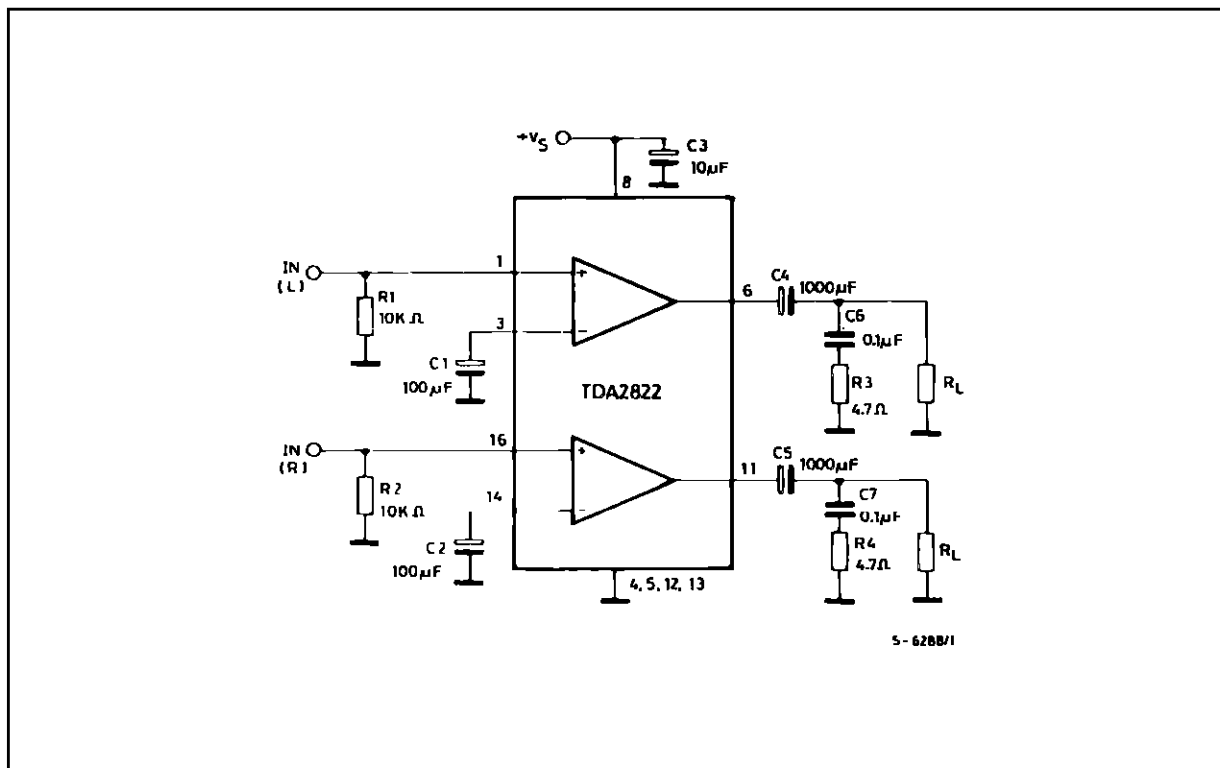
**POWERDIP**  
(Plastic 12+2+2)

**ORDERING NUMBER : TDA2822**

**DESCRIPTION**

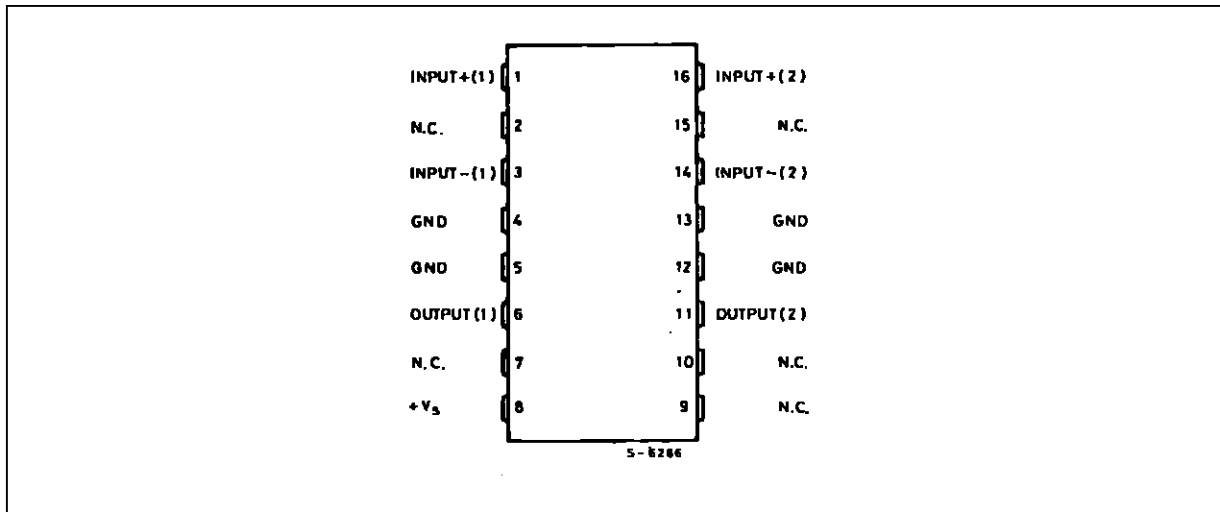
The TDA2822 is a monolithic integrated circuit in 12+2+2 powerdip, intended for use as dual audio power amplifier in portable radios and TS sets.

**TYPICAL APPLICATION CIRCUIT (STEREO)**

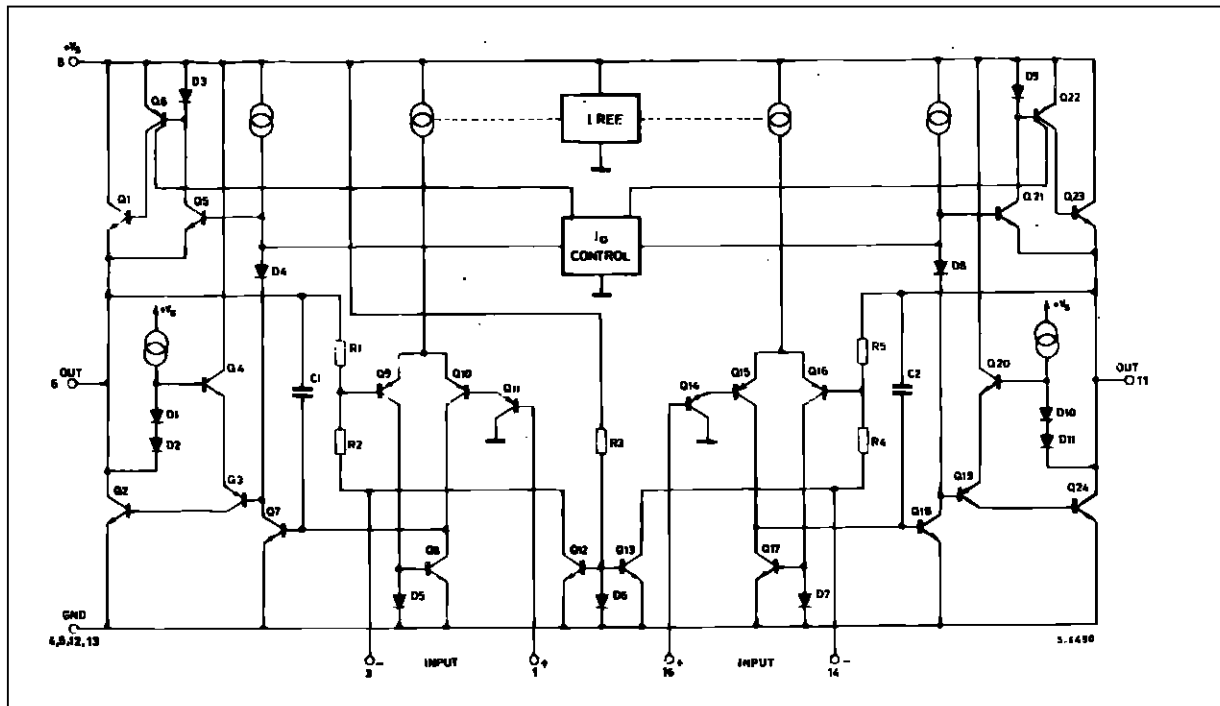


# TDA2822

## PIN CONNECTION (top view)



## SCHEMATIC DIAGRAM



## ABSOLUTE MAXIMUM RATINGS

Symbol	Parameter	Value	Unit
V <sub>s</sub>	Supply Voltage	15	V
I <sub>o</sub>	Output Peak Current	1.5	A
P <sub>tot</sub>	Total Power Dissipation at T <sub>amb</sub> = 50 °C at T <sub>case</sub> = 70 °C	1.25 4	W W
T <sub>stg</sub> , T <sub>j</sub>	Storage and Junction Temperature	- 40 to 150	°C

## THERMAL DATA

Symbol	Parameter	Value	Unit
$R_{th\ j-amb}$	Thermal Resistance Junction-ambient	Max 80	$^{\circ}C/W$
$R_{th\ j-case}$	Thermal Resistance Junction-pins	Max 20	$^{\circ}C/W$

**ELECTRICAL CHARACTERISTICS** ( $V_s = 6\text{ V}$ ,  $T_{amb} = 25\text{ }^{\circ}C$ , unless otherwise specified)  
STEREO (test circuit of fig. 1)

Symbol	Parameter	Test Condition	Min.	Typ.	Max.	Unit
$V_s$	Supply Voltage		3		15	V
$V_c$	Quiescent Output Voltage	$V_s = 9\text{ V}$ $V_s = 6\text{ V}$		4 2.7		V V
$I_d$	Quiescent Drain Current			6	12	mA
$I_b$	Input Bias Current			100		nA
$P_o$	Output Power (each channel)	$d = 10\%$ $f = 1\text{ kHz}$ $V_s = 9\text{ V}$ $R_L = 4\ \Omega$ $V_s = 6\text{ V}$ $R_L = 4\ \Omega$ $V_s = 4.5\text{ V}$ $R_L = 4\ \Omega$	1.3 0.45	1.7 0.65 0.32		W W W
$G_v$	Closed Loop Voltage Gain	$f = 1\text{ kHz}$	36	39	41	dB
$R_i$	Input Resistance	$f = 1\text{ kHz}$	100			k $\Omega$
$e_N$	Total Input Noise	$R_s = 10\text{ k}\Omega$ $B = 22\text{ Hz to } 22\text{ kHz}$ Curve A		2.5 2		$\mu\text{V}$ $\mu\text{V}$
SVR	Supply Voltage Rejection	$f = 100\text{ Hz}$	24	30		dB
CS	Channel Separation	$R_g = 10\text{ k}\Omega$ $f = 1\text{ kHz}$		50		dB

BRIDGE (test circuit of fig. 2)

$V_s$	Supply Voltage		3		15	V
$I_d$	Quiescent Drain Current	$R_L = \infty$		6	12	mA
$V_{os}$	Output Offset Voltage	$R_L = 8\ \Omega$		10	60	mV
$I_b$	Input Bias Current			100		nA
$P_o$	Output Power	$d = 10\%$ $f = 1\text{ kHz}$ $V_s = 9\text{ V}$ $R_L = 8\ \Omega$ $V_s = 6\text{ V}$ $R_L = 8\ \Omega$ $V_s = 4.5\text{ V}$ $R_L = 4\ \Omega$	2.7 0.9	3.2 1.35 1		W W W
$d$	Distortion ( $f = 1\text{ kHz}$ )	$R_L = 8\ \Omega$ $P_o = 0.5\text{ W}$		0.2		%
$G_v$	Closed Loop Voltage Gain	$f = 1\text{ kHz}$		39		dB
$R_i$	Input Resistance	$f = 1\text{ kHz}$	100			k $\Omega$
$e_N$	Total Input Noise	$R_s = 10\text{ k}\Omega$ $B = 22\text{ Hz to } 22\text{ kHz}$ Curve A		3 2.5		$\mu\text{V}$ $\mu\text{V}$
SVR	Supply Voltage Rejection	$f = 100\text{ Hz}$		40		dB

# TDA2822

Figure 1 : Test Circuit (stereo).

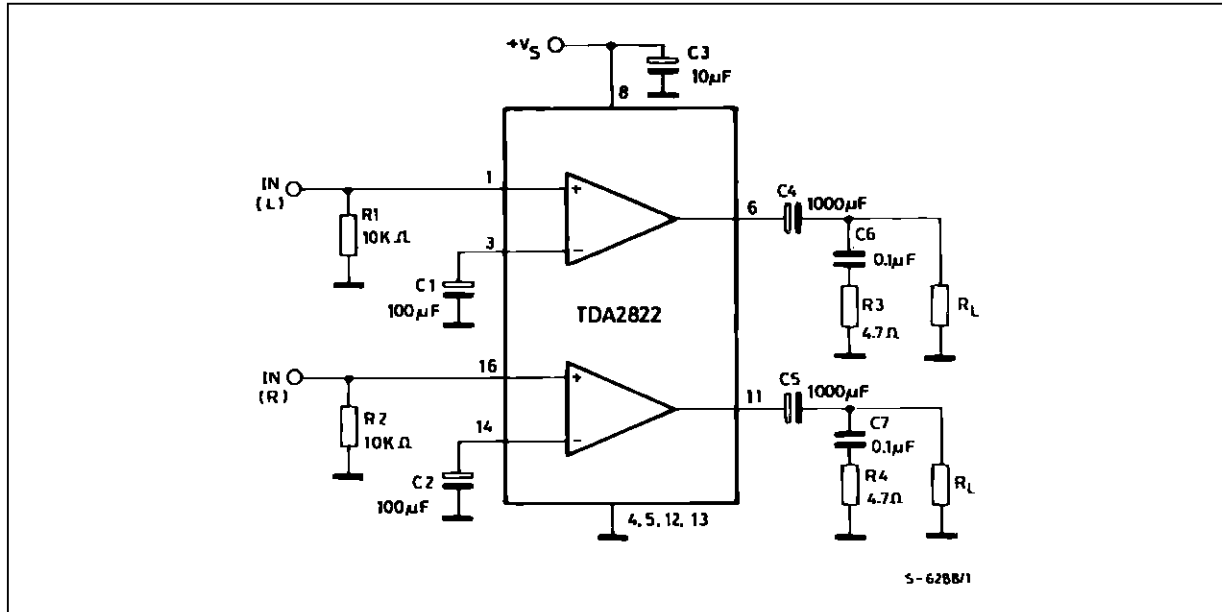


Figure 2 : P.C. Board and Components Layout of the Circuit of Figure 1 (1:1 scale).

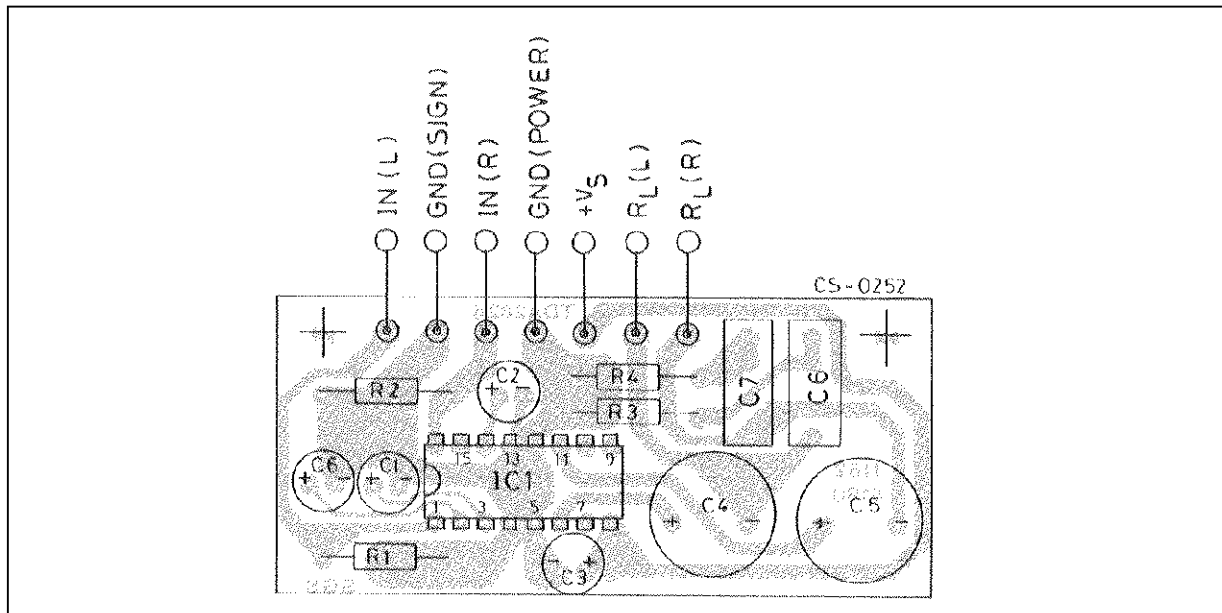


Figure 3 : Test Circuit (bridge).

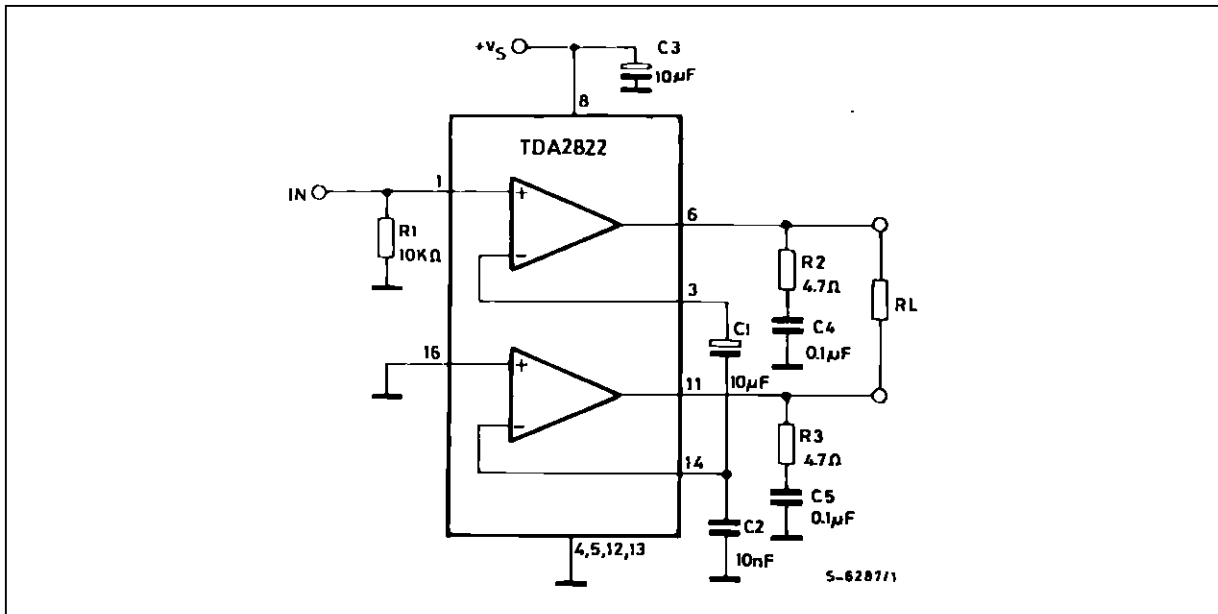


Figure 4 : P.C. Board and Components Layout of the Circuit of Figure 3 (1:1 scale).

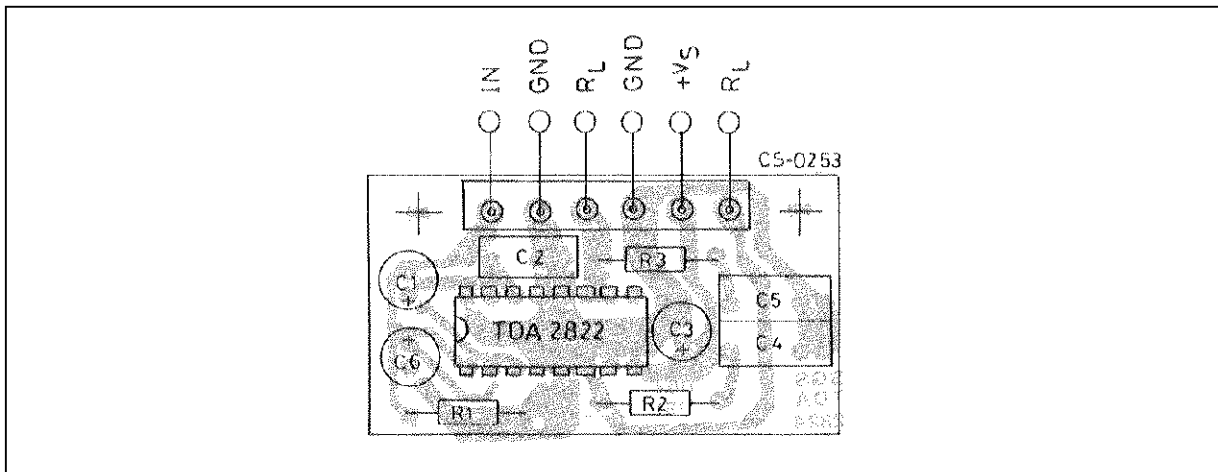


Figure 5 : Output Power vs. Supply Voltage (Stereo).

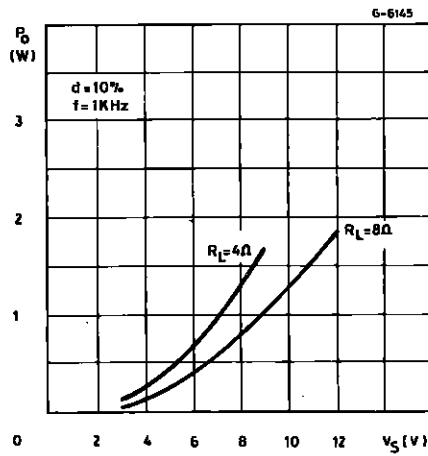


Figure 6 : Output Power vs. Supply Voltage (Bridge).

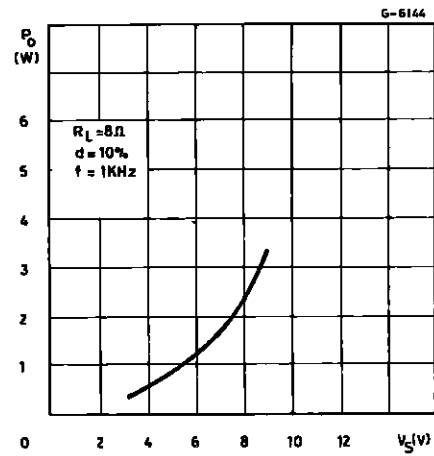


Figure 7 : Distorsion vs. Output Power (Bridge).

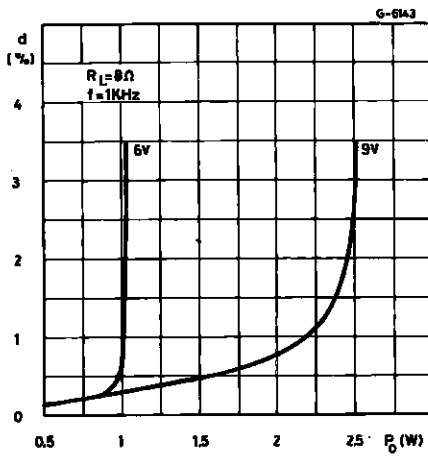


Figure 8 : Distorsion vs. Output Power (Bridge).

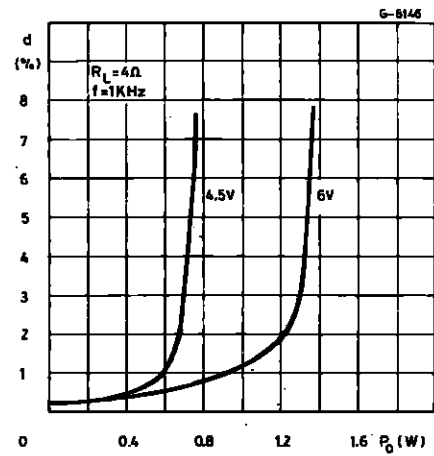


Figure 9 : Supply Voltage Rejection vs. Frequency.

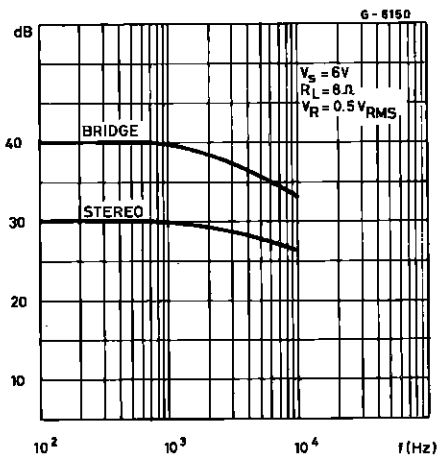


Figure 10 : Quiescent Current vs. Supply Voltage.

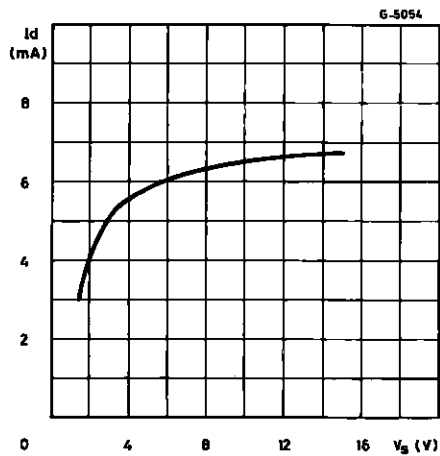


Figure 11 : Total Power Dissipation vs. Output Power (Stereo).

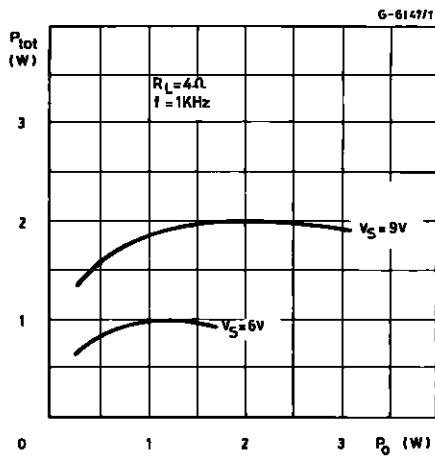


Figure 12 : Total Power Dissipation vs. Output Power (Bridge).

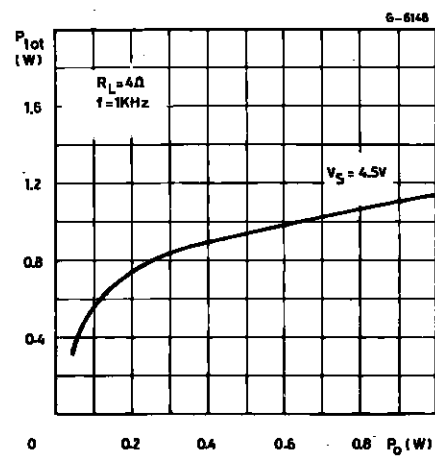
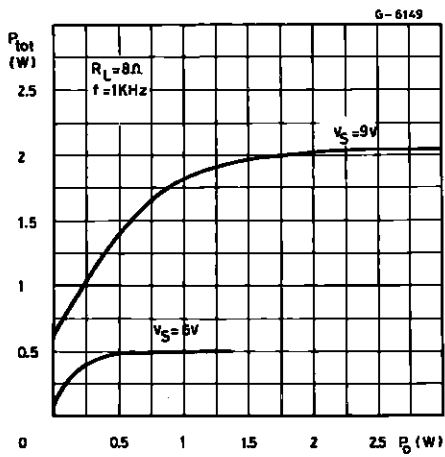
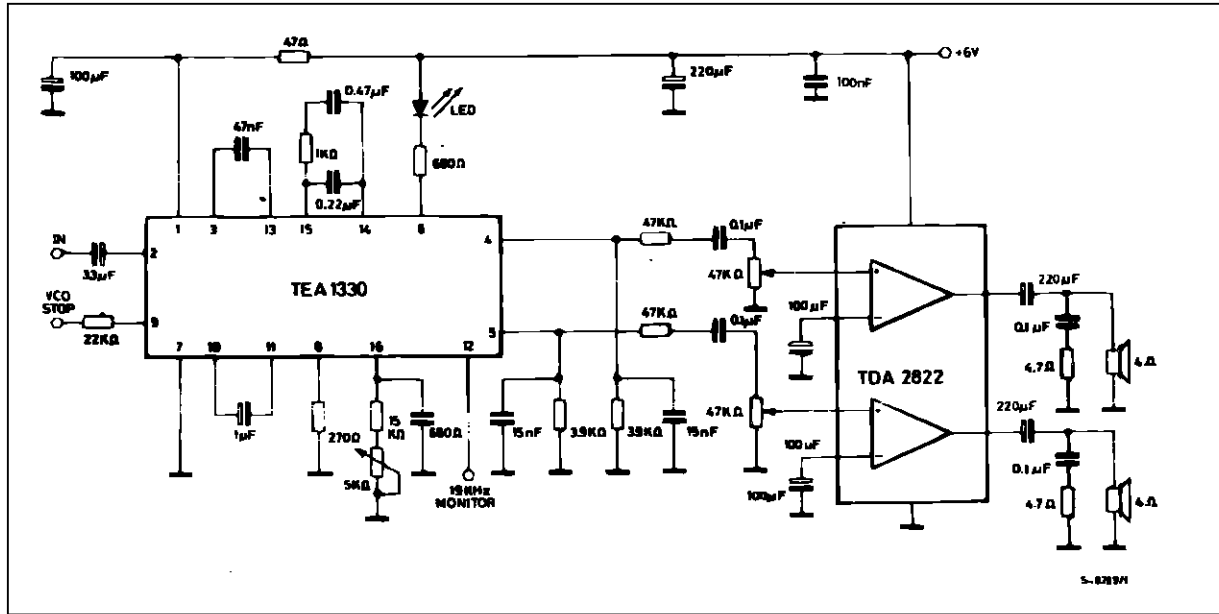


Figure 13 : Total Power Dissipation vs. Output Power (Bridge).



# TDA2822

Figure 14 : Application Circuit for Portable Radios.

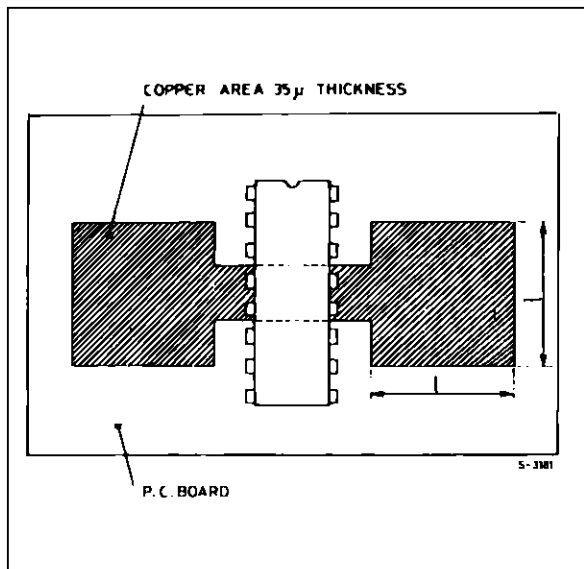


## MOUNTING INSTRUCTION

The  $R_{th j-amb}$  of the TDA2822 can be reduced by soldering the GND pins to a suitable copper area of the printed circuit board (Figure 15) or to an external heatsink (Figure 16).

The diagram of Figure 17 shows the maximum dissipable power  $P_{tot}$  and the  $R_{th j-amb}$  as a function of the side "d" of two equal square copper areas having a thickness of  $35 \mu$  (1.4 mils).

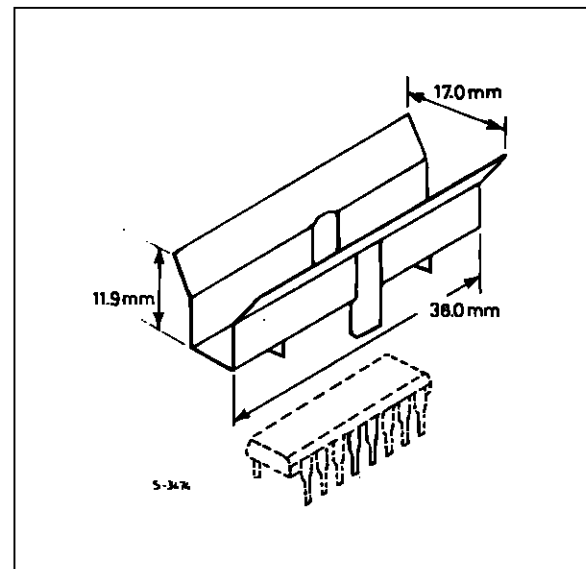
Figure 15 : Example of P.C. Board Copper Area which is used as Heatsink.



During soldering the pins temperature must not exceed  $260 \text{ }^\circ\text{C}$  and the soldering time must not be longer than 12 seconds.

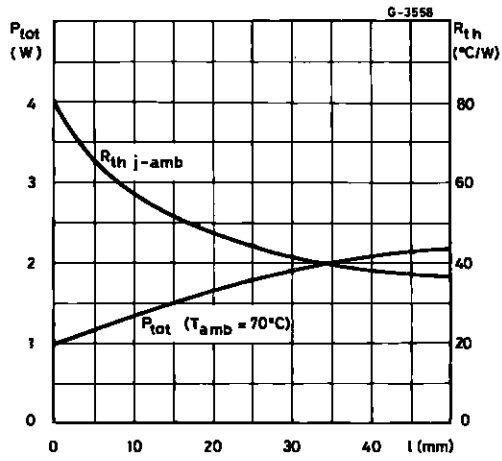
The external heatsink or printed circuit copper area must be connected to electrical ground.

Figure 16 : External Heatsink Mounting Example.

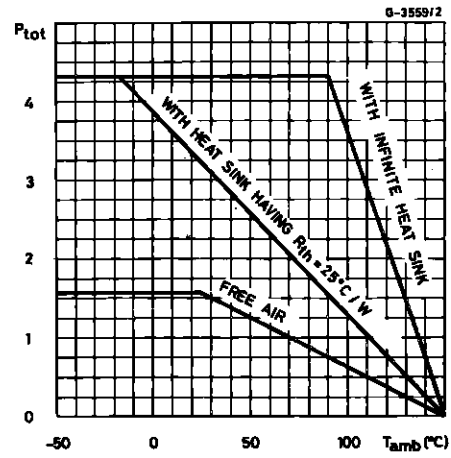




**Figure 6 :** Maximum Dissipable Power and Junction to Ambient Thermal Resistance vs. Side "d".



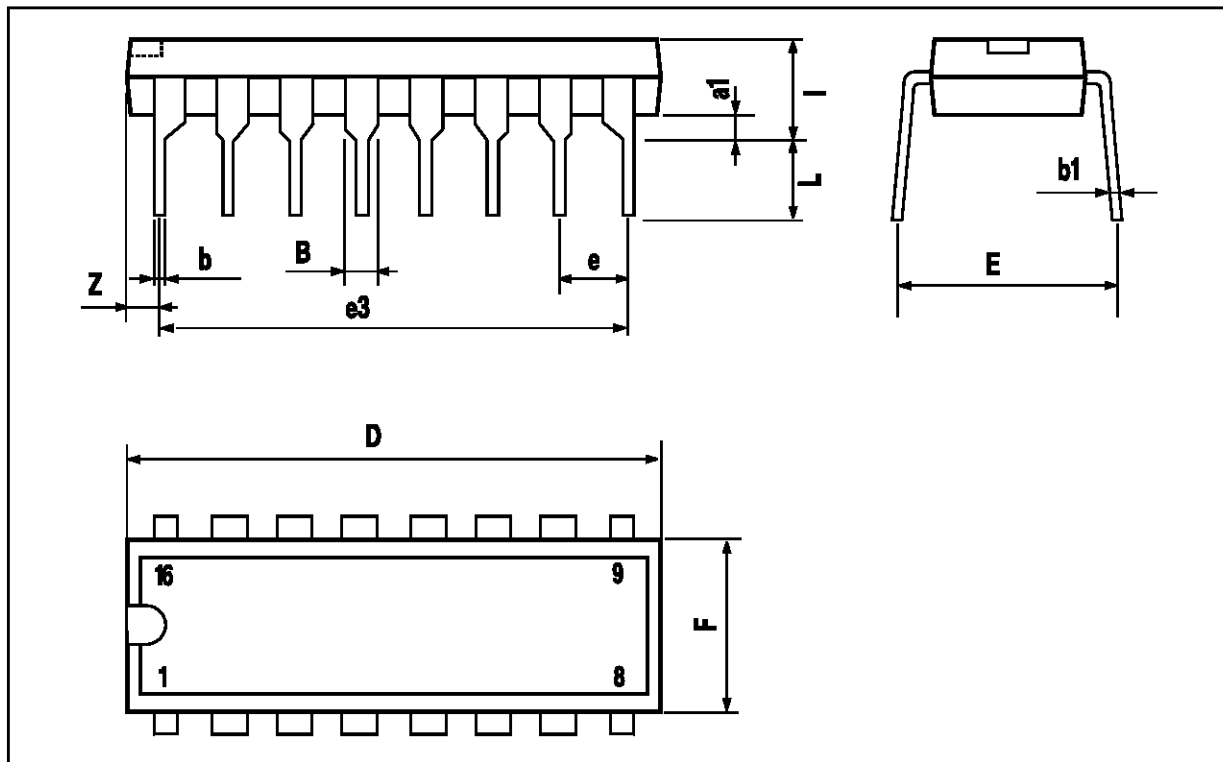
**Figure 7 :** Maximum Allowable Power Dissipation vs. Ambient Temperature.



# TDA2822

## POWERDIP 16 PACKAGE MECHANICAL DATA

DIM.	mm			inch		
	MIN.	TYP.	MAX.	MIN.	TYP.	MAX.
a1	0.51			0.020		
B	0.85		1.40	0.033		0.055
b		0.50			0.020	
b1	0.38		0.50	0.015		0.020
D			20.0			0.787
E		8.80			0.346	
e		2.54			0.100	
e3		17.78			0.700	
F			7.10			0.280
I			5.10			0.201
L		3.30			0.130	
Z			1.27			0.050



Information furnished is believed to be accurate and reliable. However, SGS-THOMSON Microelectronics assumes no responsibility for the consequences of use of such information nor for any infringement of patents or other rights of third parties which may result from its use. No license is granted by implication or otherwise under any patent or patent rights of SGS-THOMSON Microelectronics. Specifications mentioned in this publication are subject to change without notice. This publication supersedes and replaces all information previously supplied. SGS-THOMSON Microelectronics products are not authorized for use as critical components in life support devices or systems without express written approval of SGS-THOMSON Microelectronics.

© 1995 SGS-THOMSON Microelectronics - All Rights Reserved

SGS-THOMSON Microelectronics GROUP OF COMPANIES

Australia - Brazil - France - Germany - Hong Kong - Italy - Japan - Korea - Malaysia - Malta - Morocco - The Netherlands - Singapore - Spain - Sweden - Switzerland - Taiwan - Thailand - United Kingdom - U.S.A.

This datasheet has been download from:

[www.datasheetcatalog.com](http://www.datasheetcatalog.com)

Datasheets for electronics components.