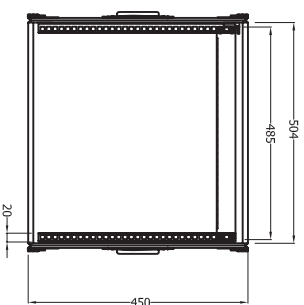
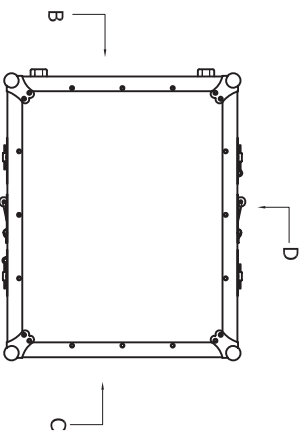
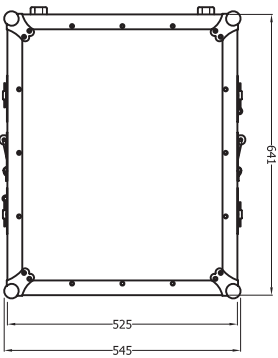
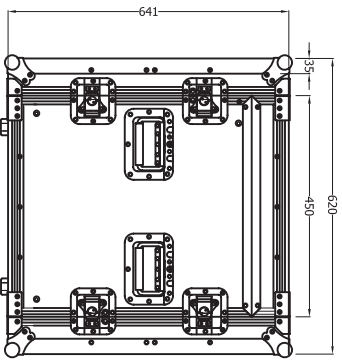


B-B

C-C

SECTION A-A



D-D

A-A

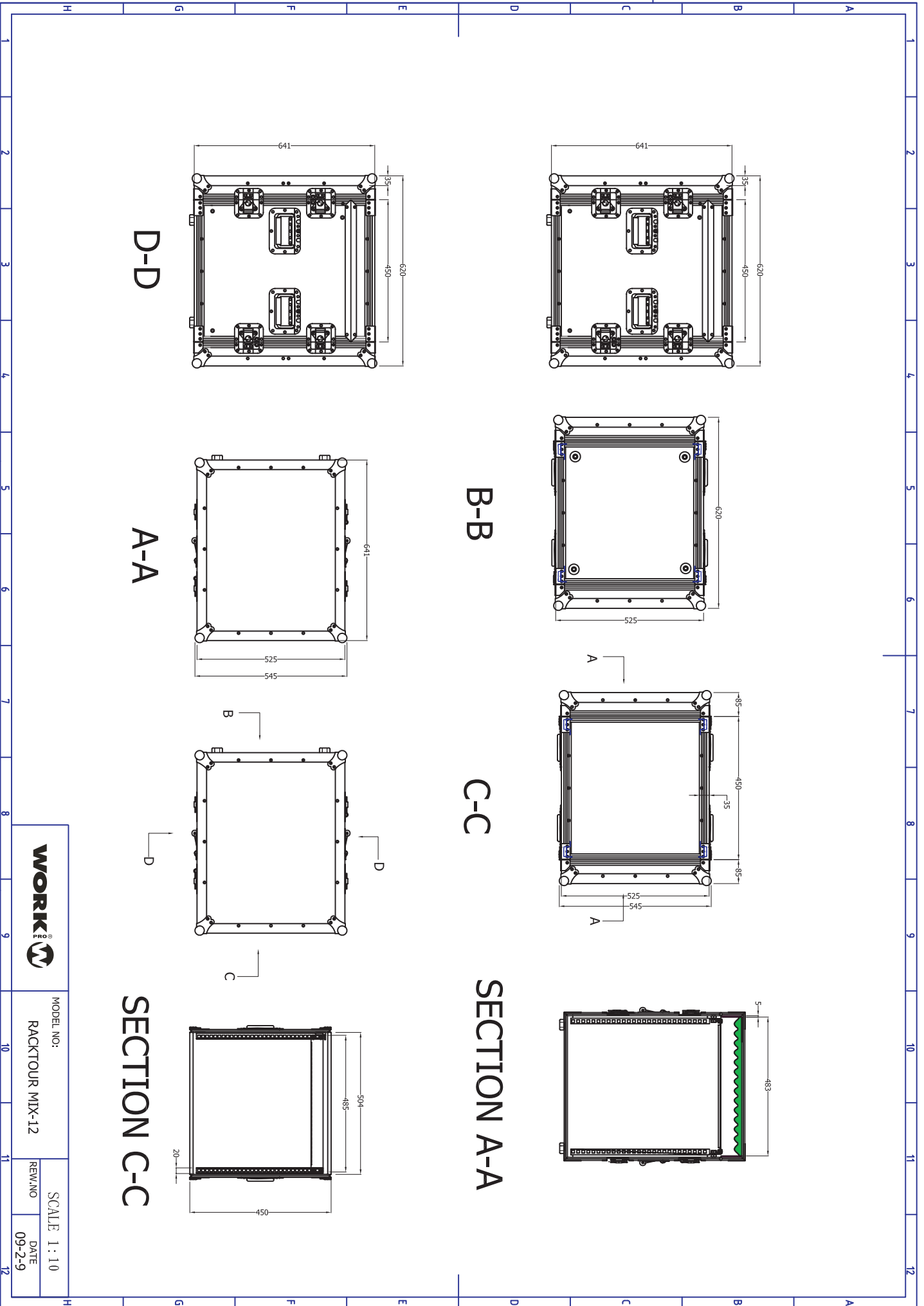
SECTION C-C

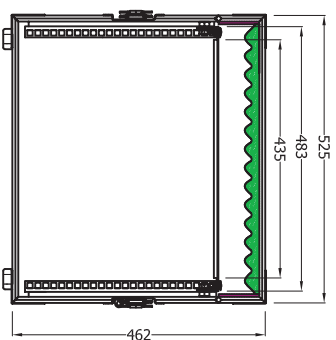
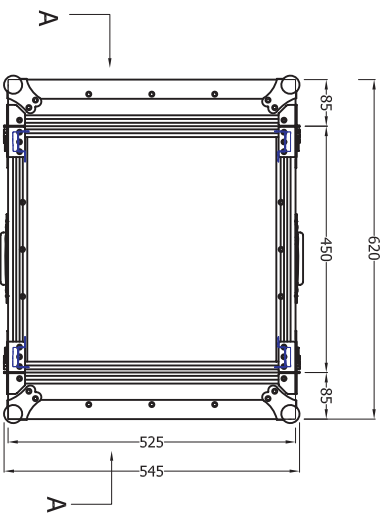
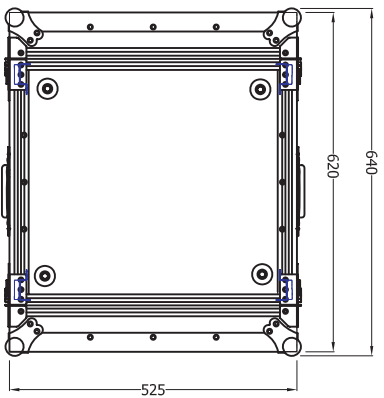
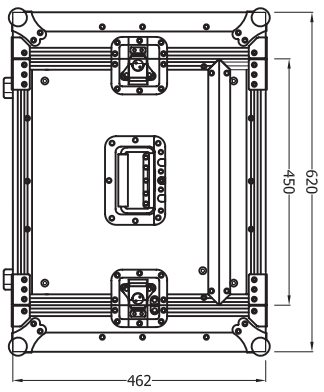


MODEL NO:
RACKTOUR MIX-12

SCALE 1:10
DATE 09-2-9

REV. NO

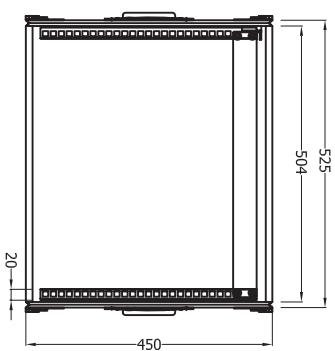
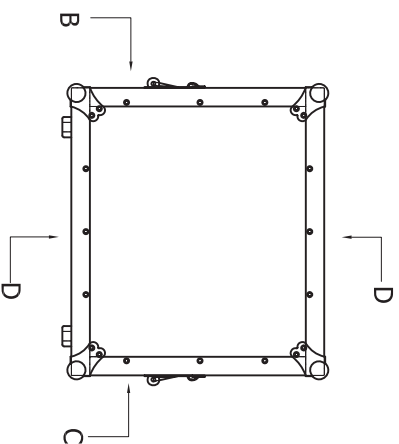
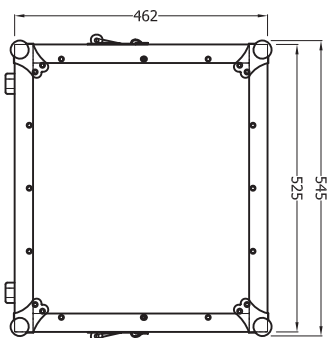
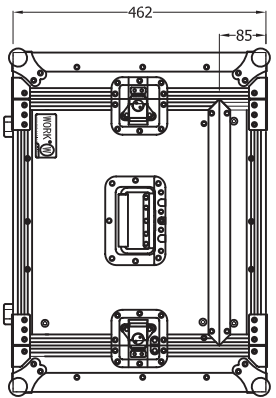




B-B

C-C

SECTION A-A



D-D

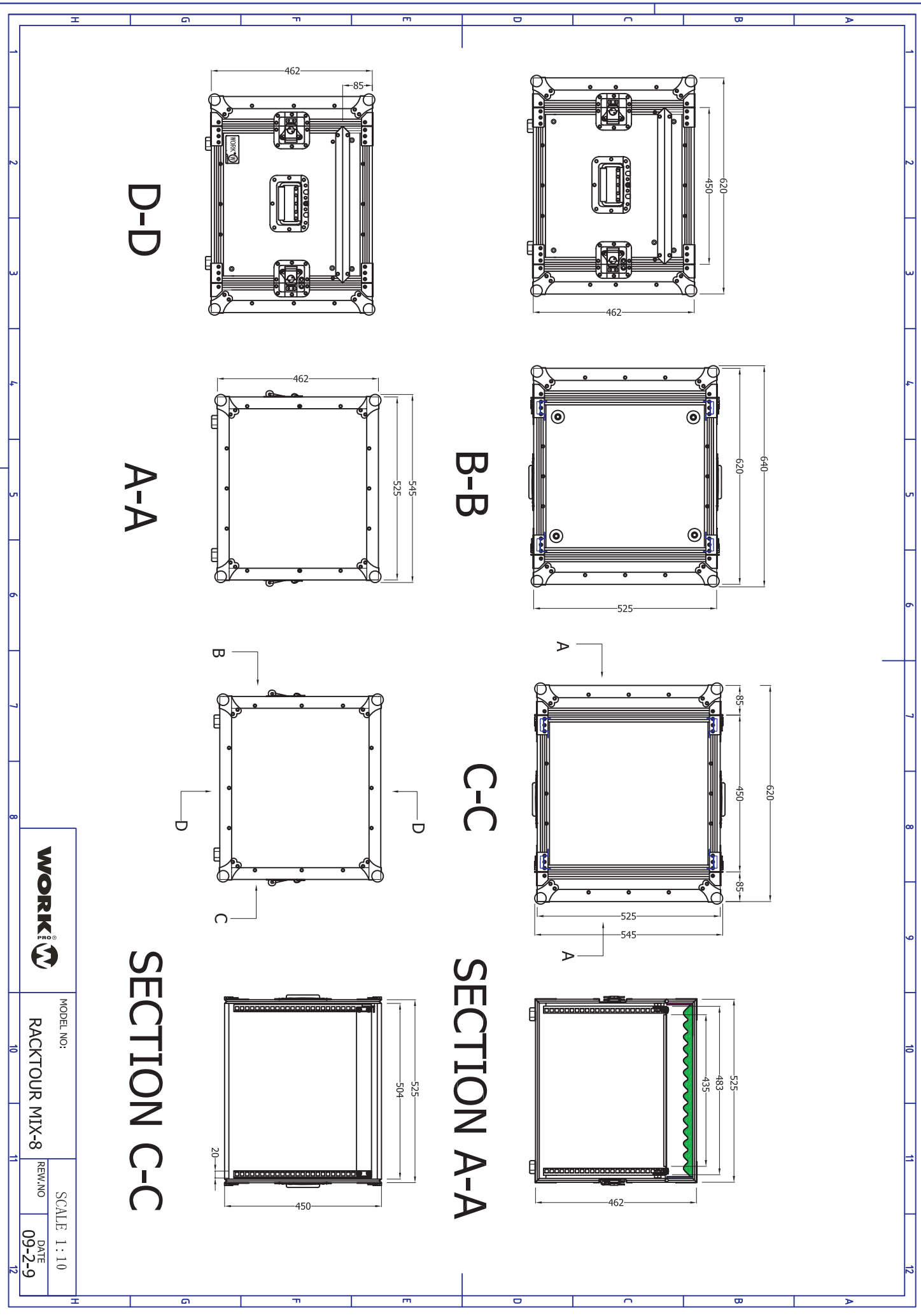
A-A

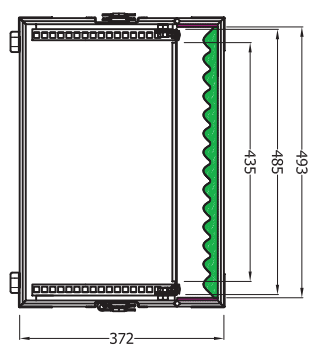
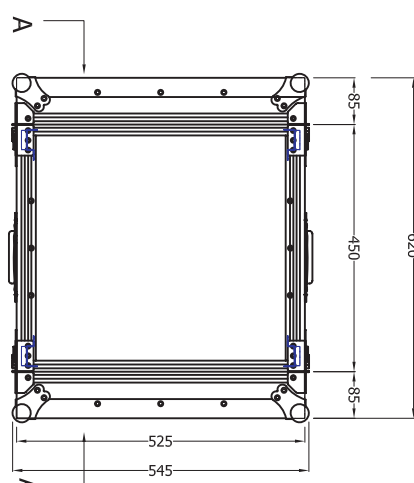
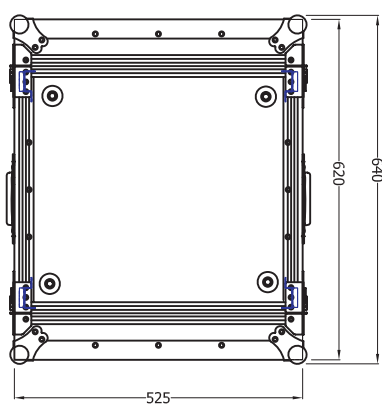
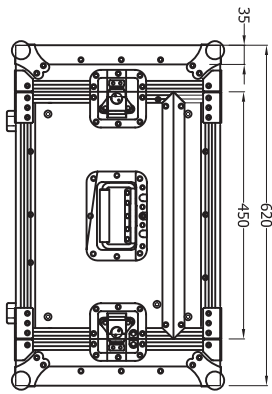
SECTION C-C



MODEL NO:
RACKTOUR MIX-8

SCALE 1 : 10
REV/NO
DATE 09-2-9

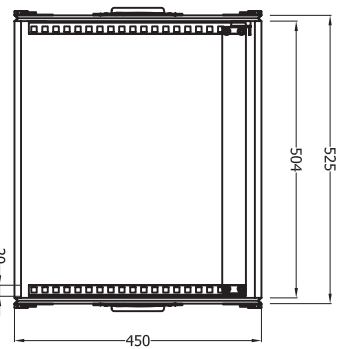
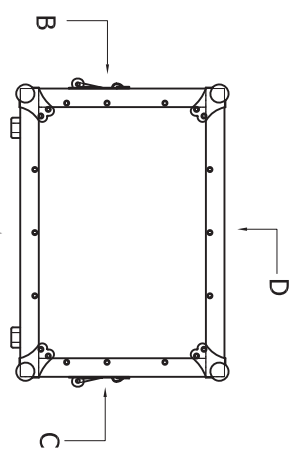
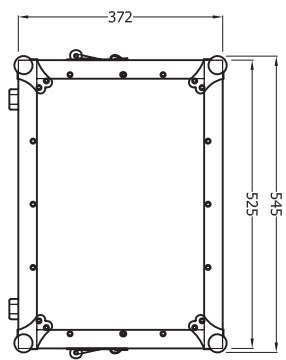
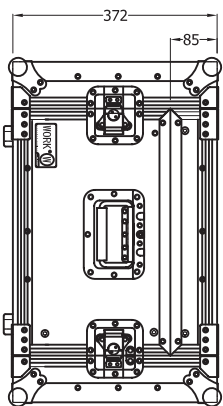




B-B

C-C

SECTION A-A



D-D

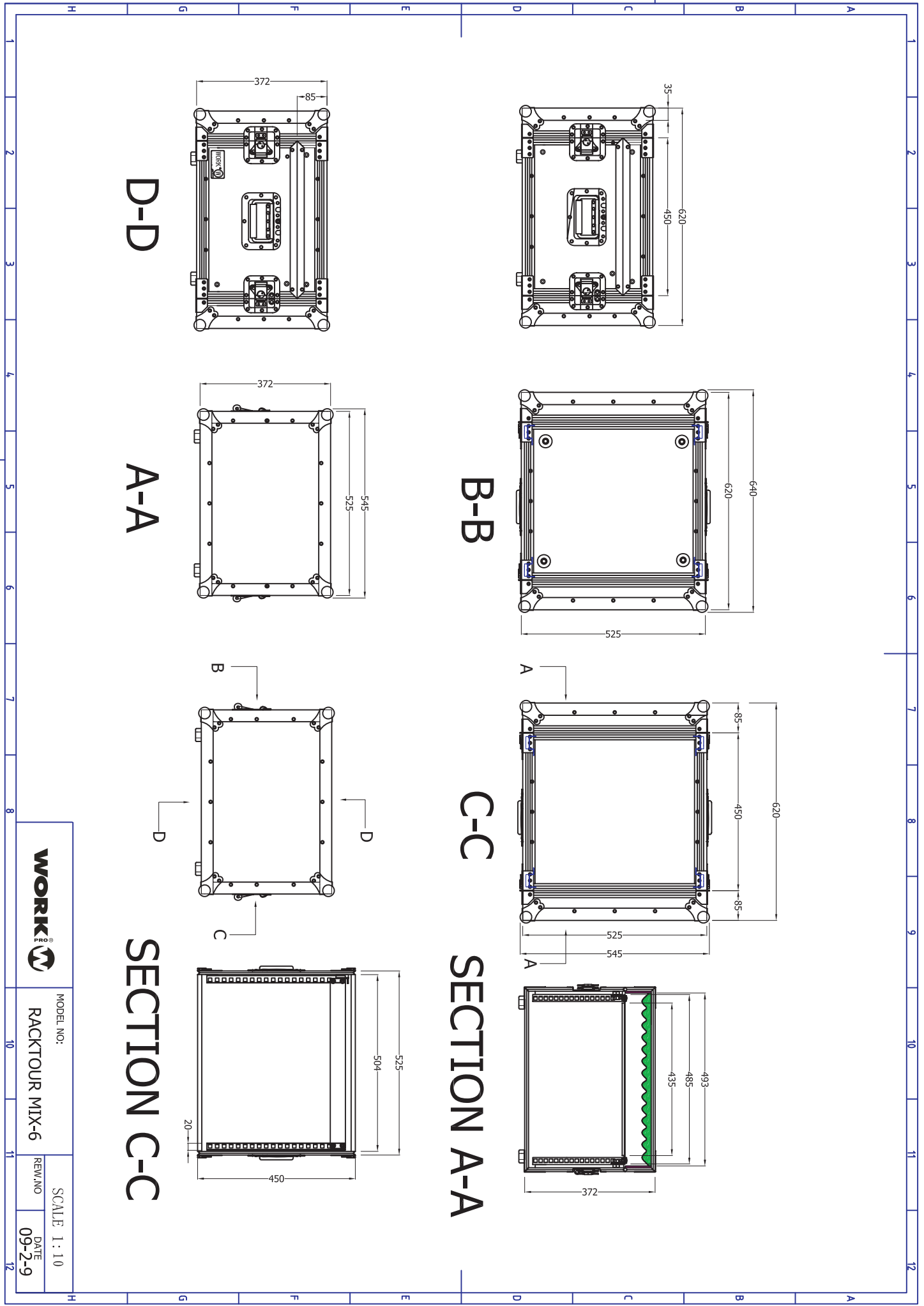
A-A

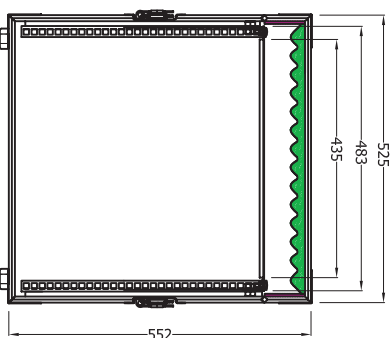
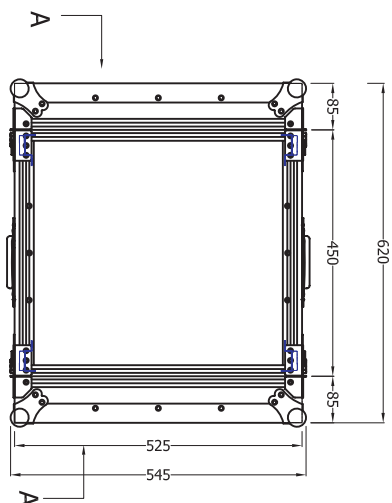
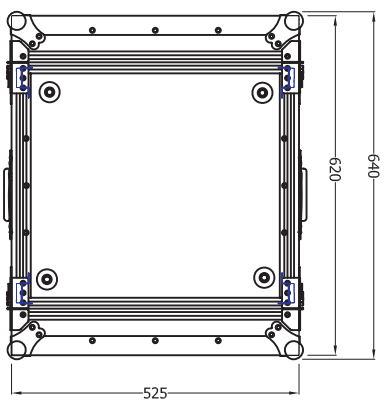
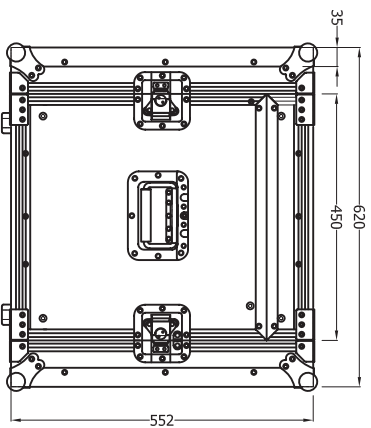
SECTION C-C



MODEL NO:
RACKTOUR MIX-6

SCALE 1 : 10
REV/NO
DATE
09-2-9

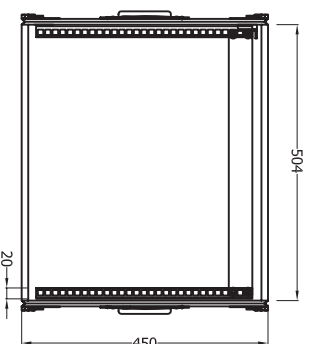
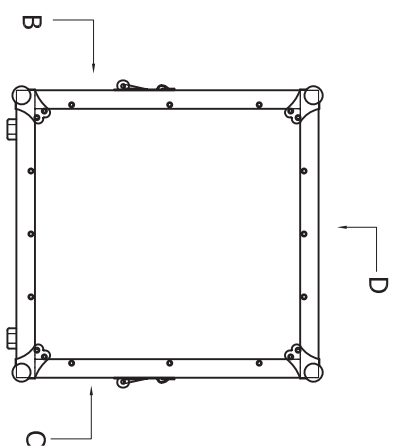
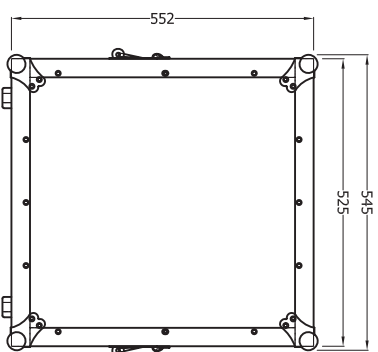
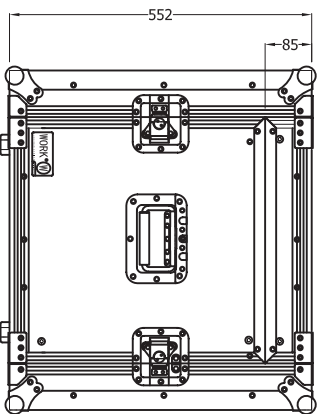




B-B

C-C

SECTION A-A



D-D

A-A

SECTION C-C



MODEL NO:
RACKTOUR MIX-10

SCALE 1 : 10
DATE 09-2-9

