

WORK
PRO

DRAWER:

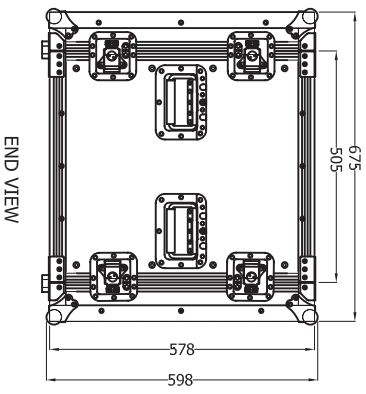
MODEL NO:

RACKT0UR-6

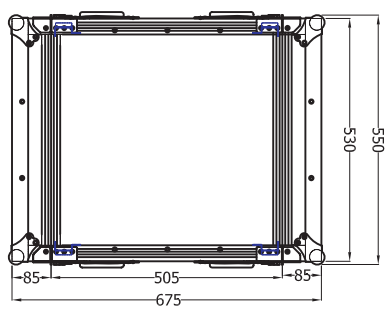
SCALE 1:0

REV/NO

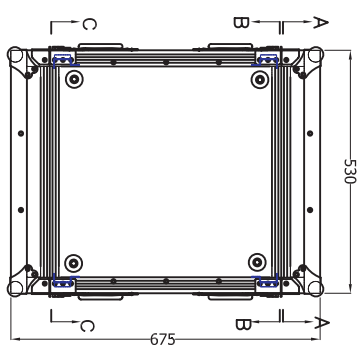
DATE
2007/05/11



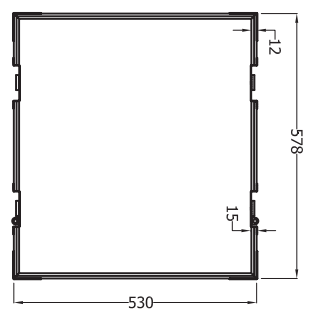
END VIEW



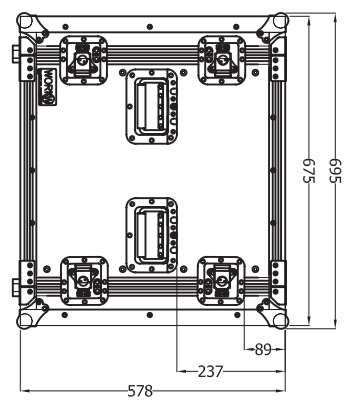
BOTTOM VIEW



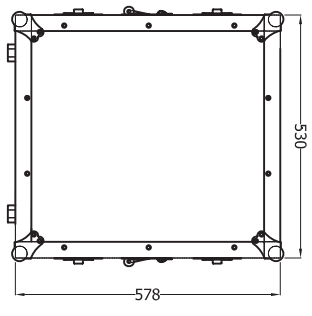
TOP VIEW



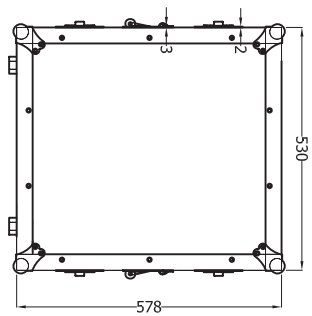
SECTION A-A



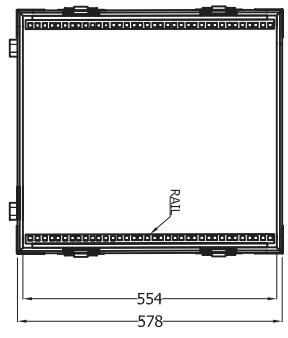
END VIEW



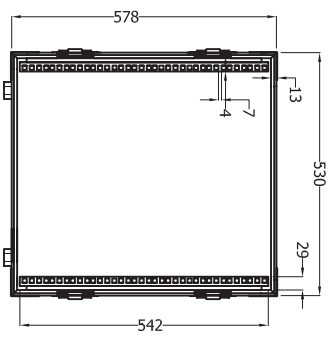
FRONT VIEW



BACK VIEW



SECTION C-C



SECTION B-B



CLIENT:

DRAWING:

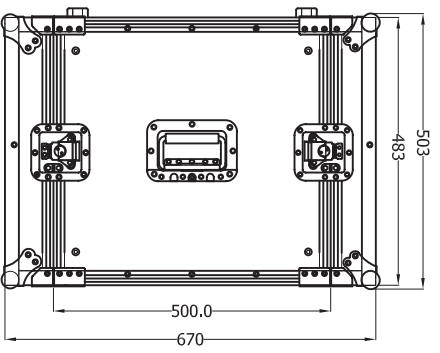
RACCTOUB-12

DATE

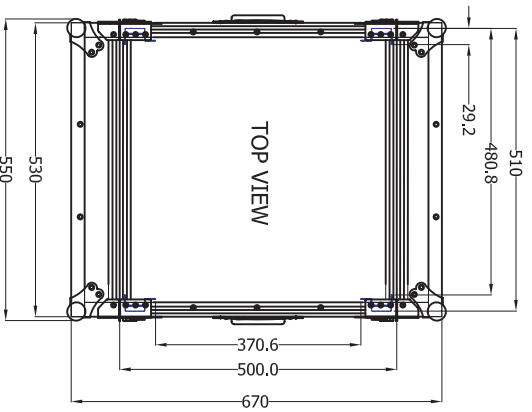
2007/05/11

SCALE 1:0

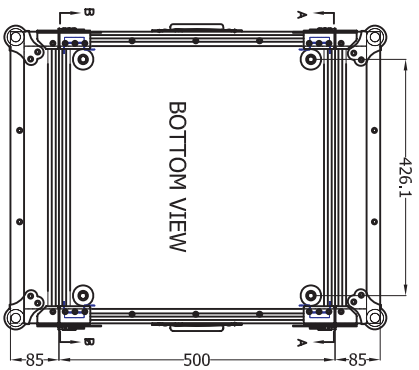
DRAWING NO.



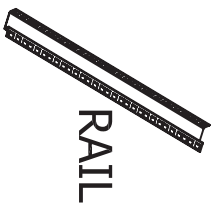
END VIEW



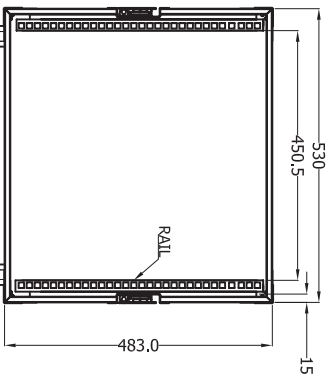
TOP VIEW



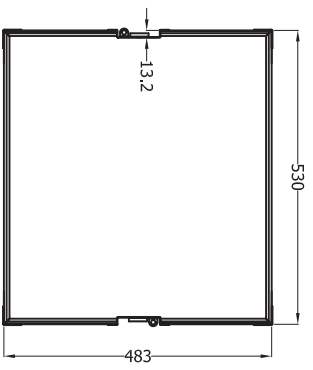
BOTTOM VIEW



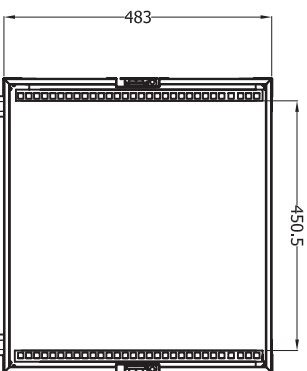
RAIL



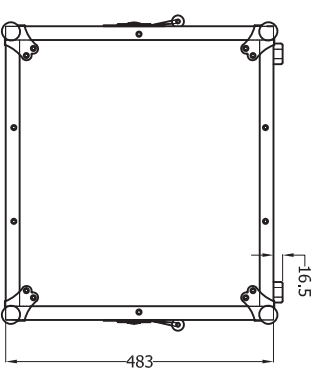
SECTION A-A



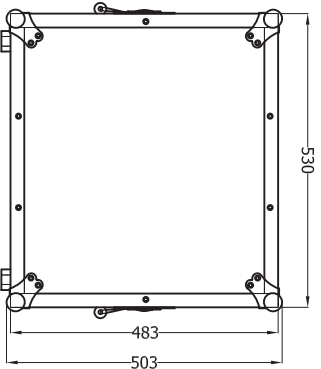
SECTION C-C



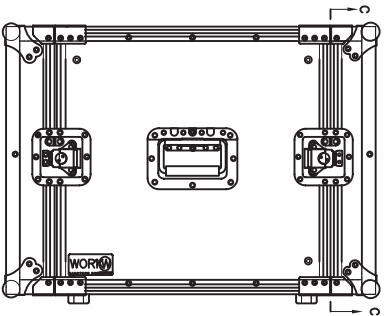
SECTION B-B



BACK VIEW



FRONT VIEW



END VIEW



DRAWER:

MODEL NO:

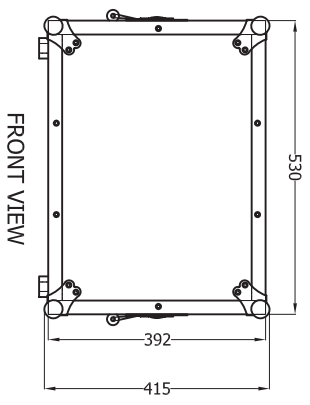
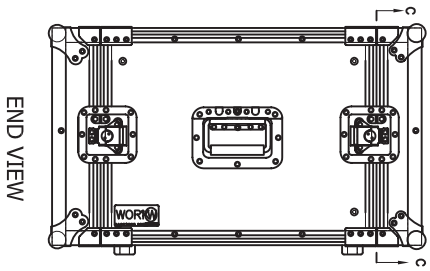
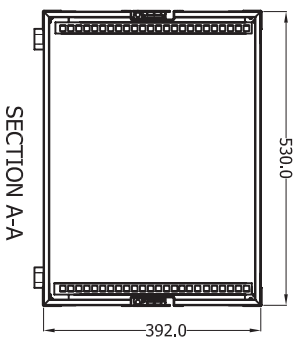
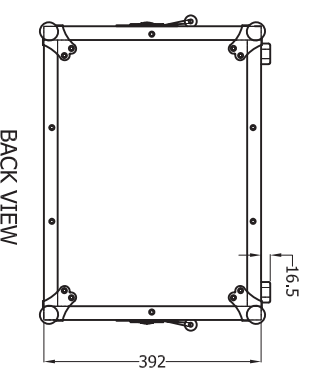
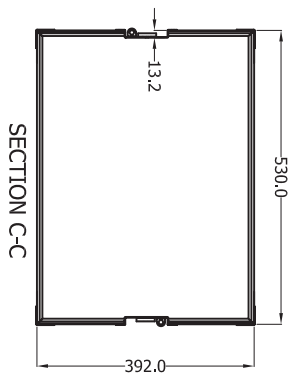
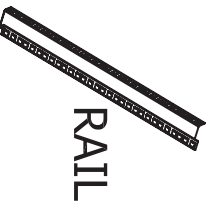
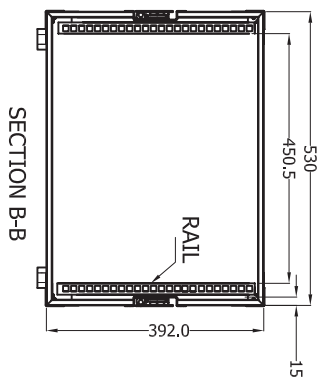
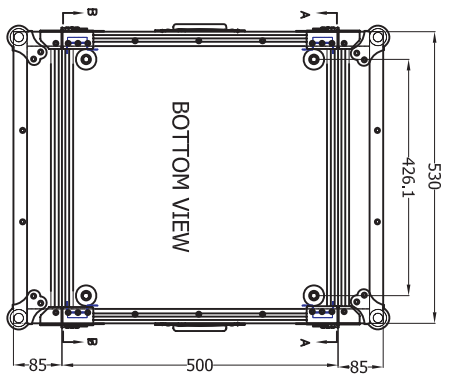
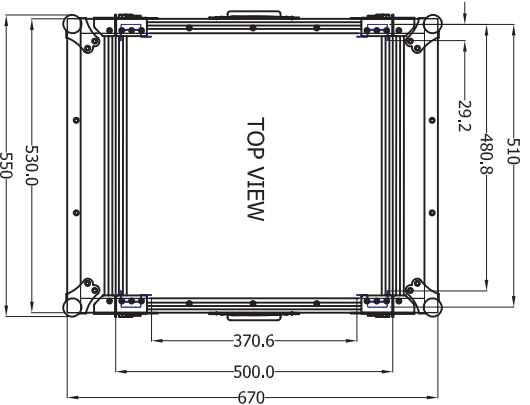
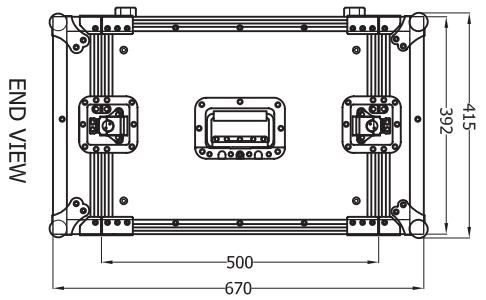
RACKTOUR-10

SCALE 1:10

REV.NO

DATE

2007/09/11



DRAWER:

MODEL NO:
RACKTOUR-8

SCALE 1:0

REV/NO

DATE
2007/05/11

