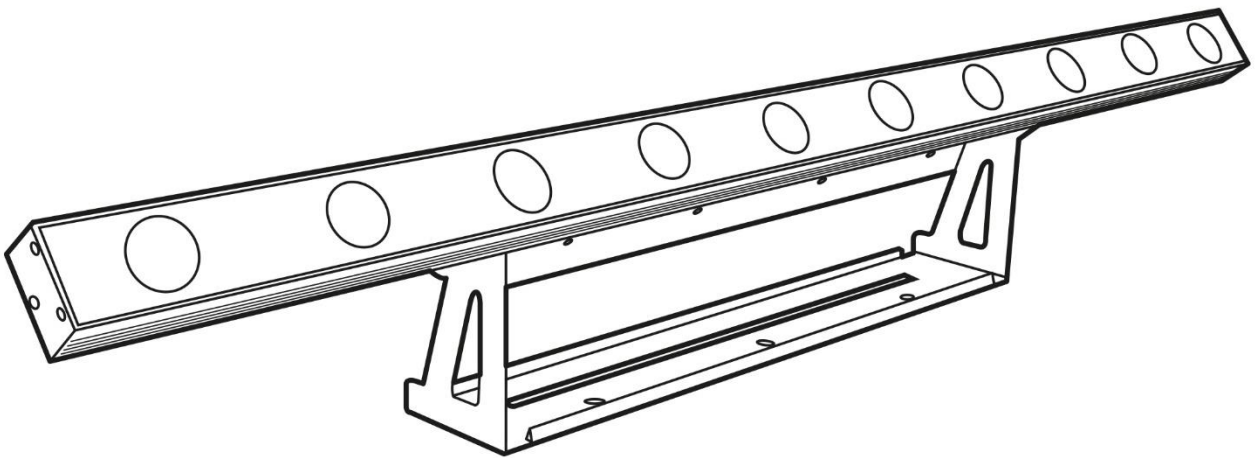


# MBAR 3250 W

User Manual – Version 1.0



# SAFETY INSTRUCTIONS

1. Read the instructions of this manual.
2. Keep these instructions in a safe place.
3. Heed and follow all warnings and instructions.
4. Please, respect your country safety regulations.
5. Don't use this device close to the water or high humidity places. Clean only with dry cloth.
6. Don't install near any heat sources such as radiators, heat registers, stoves, or other apparatus (including amplifiers) that produce heat. Make certain that the equipment is always installed so that is cooled and can't overheat.
7. Don't block any ventilation openings. Install in accordance with the manufacturer's instructions.
8. Protect the power cord from being walked on or pinched, particularly at plugs, convenience receptacles, and the point where they exit from the apparatus.
9. Only use attachments/accessories specified by **MARK**.
10. Unplug this device during lightning storms or when unused for long periods of time.
11. The technical service is required when the device has been damaged in any way, such as power supply cord or plug is damaged, liquid has been spilled or objects have fallen into the device, doesn't operate normally or has been dropped.
12. To completely disconnect this apparatus from the AC mains, disconnect the power supply cord plug from the AC receptacle.
13. The mains plug of the power supply cord shall remain readily operable.
14. **WARNING** – to reduce the risk of fire or electric shock, don't expose this device to rain or humidity.
15. Don't expose this equipment to dripping or splashing and ensure that no objects filled with liquids, such as vases, are placed on the equipment.
16. For rigging installation, please, follow the recommendations included in this user manual.

# OVERVIEW

**MBAR 3250 W** is a lighting bar that includes 10x 5W each one LEDs and warm white (3200K colour temperature).

The configuration interface has a display with all the information and the buttons to navigate through the menus, selecting parameters such as selection of the 17 automatic programs and other 17 audio programs, the manual level of dimmerization and the control of the strobe effect.

The device includes DMX mode (1, 3, 5, 10 and 15 channels) with individual dimmer level of each LED, and the activation of both automatic and audio programs.

Its tilting frame allows to place the bar in walls, ceiling, or even on the floor and direct the beam to the desired place taking advantage of the 6° beam angle.

## Technical Data:

Power Supply	AC 100-240 V 50/60 Hz
Light source	10x LEDs of 5W each one, Warm White (3200K)
Dimmer	0-100 Linear Adjustment
Beam angle	6°
DMX Channels	1, 3, 5, 10 and 15 channels
Mode	DMX 512 /Manual/Audio/Auto/Master-slave
Input connector	3 pin XLR
Output connector	3 pin XLR
Dimensions (WxHxD)	995 x 180 x 80 mm
Weight	3 Kg

## Features:

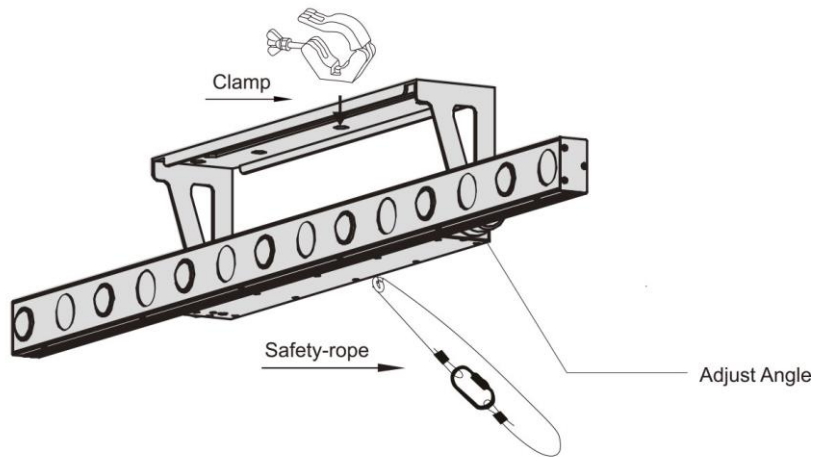
- Lighting bar that includes 10x 5W LEDs each one, Warm white (3200K).
- Display and interface to configure functions.
- 17 automatic programs and 17 audio programs.
- Strobe function.
- Adjustable fixing frame.

# INSTALLATION

This product is only suitable for professional use. This device should be kept dry to avoid moisture, overheating or dusty environment. Ensure that the unit does not meet water or any other liquid.

**MBAR 3250 W** can be placed in a stable surface or stand but the common operating mode is rigging it in a truss system. Please, check and follow the next recommendations for safe use of this device:

- The truss system must be built in a way that it can hold 10 times the weight of all rigging elements for 1 hour without any harming deformation.
- The fixation system (clamps or hangs) must be able to hold 10 times the weight of the device.
- The device must always be secured with a safety attachment, e.g. steel cable.
- The operator must check that the installation meets the safety standards and the device installation is approved by a skilled person.



## DMX Connection.

The DMX cable must use the professional shielded twisted pair cable. Standard loudspeaker cable is not reliable to control the long-range data. 24AWG cable is suitable for up to 300 meters long-distance signal transmission; for longer distances, a DMX 512 signal amplifier should be used.

Don't overload the connection. One continuous connection can only support up to **30 devices**. It is advisable to use a DMX splitter in order to distribute the signal without losing its integrity.

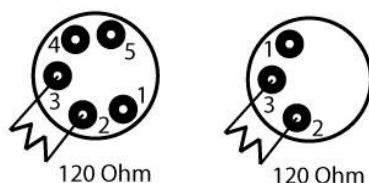
Connect the DMX512 input terminal to the controller. After that, connect the output terminal to the next device. Repeat this step with all fixtures in the chain. To prevent system errors, the last device in a DMX chain needs to be equipped with a terminating resistor (120 ohm, 1/4 Watt).

## Pin occupation

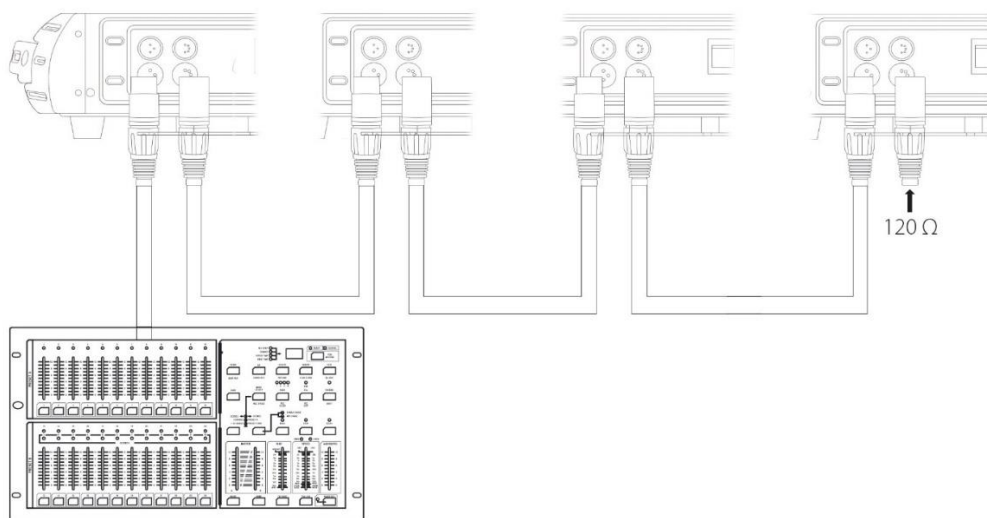
Pin 1: Ground

Pin 2: Pin -

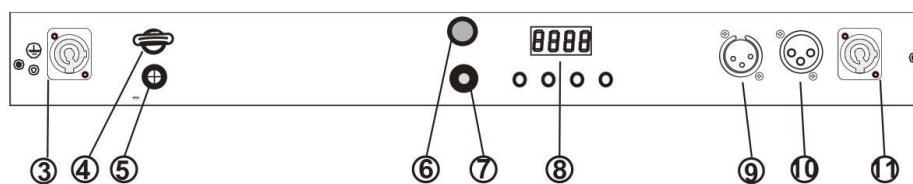
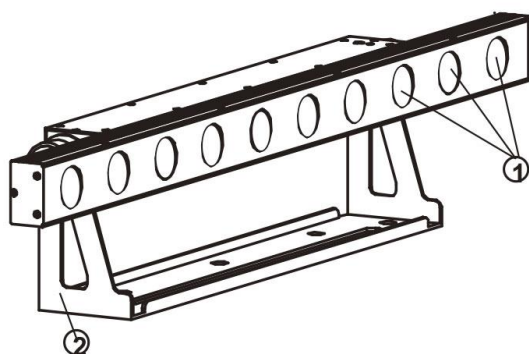
Pin 3: Pin +



To connect more than one unit in a chain, please, follow this picture. The output of the first unit must provide to the next DMX input of the signal, this way it is possible to send the signal to all the devices in the chain.



## OPERATION INSTRUCTIONS

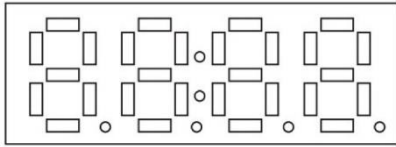


1. LEDs: 5W LEDs. 3200K colour temperature x 10 pcs.
2. Handle: For carrying device in transportation
3. Power input: Blue Neutrik power input socket.
4. Safety eye: Attach the safety cable
5. Fuse 250V 1.6A slow blow.
6. Sensitivity: Rotary control for audio sensitivity.
7. Microphone: Receiving the audio signal through a microphone, and positive response to the intensity by the potentiometer (6).
8. LEC display: For setting the device.
9. DMX Input: 3PIN male XLR interface for DMX communication.
10. DMX Output: 3PIN female XLR interface for DMX communication.
11. Power output: White Neutrik power output socket, connect to next fixture.

# ADVANCED USE

## CONTROL PANEL

**MBAR 3250 W** can be configured in different ways thanks to its panel and selection buttons.



MENU UP DOWN ENTER

Press the MENU button (once or several times) until you get to the desired function (according to the following chart), and press ENTER to confirm your selection.

Use the UP & DOWN buttons to navigate between each function to select the correct value. (Press ENTER to confirm the setting).

In the following table are shown all the options displayed in the menu interface to set the **MBAR 3250W**:

	Display	Function
AUT	AP01-AP17/ AM01	Auto programs (Master mode) S.01-s.99 Speed (increasing)
SOU	SP01-SP17/SM01	Sound controlled programs (Master mode)
MAN	MANU	W.000-W.255 (LED dimmer) (Master mode)
		S.001-S.098 (LED strobe) (Master mode) S.000 full on
		S.100 Sound control
DMX	dXXX	D001 (1 channel) /D003 (3 channels) D005 (5 channels)
		D010 (10 channels) D015 (15 channels)
SLA	Slav	Setting for the slave device
SYS	M-EN	ON/OFF Setting for the Master device
	REST	YES/NO Restore factory default

## DMX CONTROL MODE

The following charts show the DMX channel functions of the different modes:

### 1 channel mode

No	Function	Description	Value
1	PATTERN	No function	000 - 009
		1	010 - 022
		2	023 - 035
		3	036 - 048
		4	049 - 061
		5	062 - 074
		6	075 - 087
		7	088 - 100
		8	101 - 113
		9	114 - 126
		10	127 - 139
		11	140 - 152
		12	153 - 165
		13	166 - 178
		14	179 - 191
		15	192 - 204
		16	205 - 217
		17	218 - 230
	Auto with increasing speed	231 - 243	
	Sound	244 - 255	

### 3 channel mode

No	Function	Description	Value
1	PATTERN	No function	000 - 009
		1	010 - 022
		2	023 - 035
		3	036 - 048
		4	049 - 061
		5	062 - 074
		6	075 - 087
		7	088 - 100
		8	101 - 113
		9	114 - 126
		10	127 - 139
		11	140 - 152
		12	153 - 165
		13	166 - 178
		14	179 - 191
		15	192 - 204
		16	205 - 217
		17	218 - 230
	Auto with increasing speed	231 - 243	

No	Function	Description	Value
		Sound	244 - 255
2	SPEED	Increasing speed	000 - 247
		Sound control	248 - 255
3	STROBE	No function	000 - 009
		Strobe, with increasing speed	010 - 247
		Strobe, sound control	248 - 255

### 5 channel mode

No	Function	Description	Value
1	DIMMER	Master dimmer	000 - 255
2	STROBE EFFECTS	No function, LEDs on	000 - 009
		Pulsing-effect with increasing speed	010 - 058
		Strobe-effect with increasing speed	059 - 107
		Random-pulsing effect with increasing speed	108 - 156
		One LED at a time with increasing speed	157 - 205
		One LED at a time randomly with increasing speed	206 - 255
3	PATTERN	No function	000 - 009
		1	010 - 022
		2	023 - 035
		3	036 - 048
		4	049 - 061
		5	062 - 074
		6	075 - 087
		7	088 - 100
		8	101 - 113
		9	114 - 126
		10	127 - 139
		11	140 - 152
		12	153 - 165
		13	166 - 178
		14	179 - 191
		15	192 - 204
		16	205 - 217
		17	218 - 230
		Auto with increasing speed	231 - 243
Sound	244 - 255		
4	SPEED	Increasing speed	000 - 247
		Sound control	248 - 255
5	STROBE	No function	000 - 009
		Strobe, with increasing speed	010 - 247
		Strobe, sound control	248 - 255



## 10 channel mode

No	Function	Description	Value
1	Brightness LED 1	Brightness LED 1 (0-100%)	000 - 255
2	Brightness LED 2	Brightness LED 2 (0-100%)	000 - 255
3	Brightness LED 3	Brightness LED 3 (0-100%)	000 - 255
4	Brightness LED 4	Brightness LED 4 (0-100%)	000 - 255
5	Brightness LED 5	Brightness LED 5 (0-100%)	000 - 255
6	Brightness LED 6	Brightness LED 6 (0-100%)	000 - 255
7	Brightness LED 7	Brightness LED 7 (0-100%)	000 - 255
8	Brightness LED 8	Brightness LED 8 (0-100%)	000 - 255
9	Brightness LED 9	Brightness LED 9 (0-100%)	000 - 255
10	Brightness LED 10	Brightness LED 10 (0-100%)	000 - 255

## 15 Channels

No	Function	Description	Value
1	Brightness LED 1	Brightness LED 1 (0-100%)	000 - 255
2	Brightness LED 2	Brightness LED 2 (0-100%)	000 - 255
3	Brightness LED 3	Brightness LED 3 (0-100%)	000 - 255
4	Brightness LED 4	Brightness LED 4 (0-100%)	000 - 255
5	Brightness LED 5	Brightness LED 5 (0-100%)	000 - 255
6	Brightness LED 6	Brightness LED 6 (0-100%)	000 - 255
7	Brightness LED 7	Brightness LED 7 (0-100%)	000 - 255
8	Brightness LED 8	Brightness LED 8 (0-100%)	000 - 255
9	Brightness LED 9	Brightness LED 9 (0-100%)	000 - 255
10	Brightness LED 10	Brightness LED 10 (0-100%)	000 - 255
11	DIMMER	Master dimmer	000-255
12	STROBE EFFECTS	No function, LEDs on	000-009
		Pulsing-effect with increasing speed	010-058
		Strobe-effect with increasing speed	059-107
		Random-pulsing effect with increasing speed	108-156
		One LED at a time with increasing speed	157-205
		One LED at a time randomly with increasing speed	206-255
13	PATTERN	No function	000-009
		1	010-022
		2	023-035
		3	036-048
		4	049-061
		5	062-074
		6	075-087
		7	088-100
		8	101-113
		9	114-126
		10	127-139
		11	140-152
		12	153-165
		13	166-178
		14	179-191
15	192-204		

No	Function	Description	Value
		16	205 - 217
		17	218 - 230
		Auto with increasing speed	231 - 243
		Sound	244 - 255
14	SPEED	Increasing speed	000 - 247
		Sound control	248 - 255
15	STROBE	No function	000 - 009
		Strobe, with increasing speed	010 - 247

## CAUTIONS

### Prevention of electric shock

The electrical connection must only be carried out by qualified personal. Before installing, make sure you use the same power voltage marked in the **MBAR 3250 W** (AC 100-240V/50-60Hz). Each device must be properly grounded and installed in accordance with the relevant standards. Don't use the device in a lightning storm or wet environment.

### To prevent burning of fire

1. Never install the device directly on the surface of ordinary combustible material.
2. The equipment must be installed away from inflammable and explosive materials.
3. Keep at last 0,5 m around the unit for ventilation purposes.
4. Do not place any object on the lens.
5. Do not replace with non-original spare parts. Contact your **MARK** dealer.

### Unpacking

Note: Before unpacking, check it for possible damage that might have occurred during transportation. If you find any damage, please do not use the unit and contact the **MARK** dealer.

# TROUBLESHOOTING

This short guide is meant to help and try to solve simple problems. If they continue and the device cannot operate, please, don't try to repair it by yourself, return the device to your **MARK** dealer.

If a problem occurs, carry out the following steps in sequence until find the problem solved. If the light effect does not operate properly, refer servicing to a technician.

**No Light:** Response: Suspect two potential problem areas: the power supply or the LEDs.

- 1- Power supply. Check that the unit is plugged into an appropriate power supply.
- 2- Check if the fuse is not blown. If yes, change it with one that keeps the same technical features. If the fuse blows again, please, don't change it, contact the **MARK** technical service.
- 3- If all the above appears to be OK, plug the unit in again.
- 4- If you are unable to determine the cause of the problem, do not open the device, as this may damage the unit and the warranty will become void.
- 5- Return the device to your **MARK** dealer.

**No DMX:** Response: Suspect the DMX cable or connector, a controller wrong function, a previous light effect DMX in the chain.

- 1- Check the DMX settings. Make sure that DMX addresses are correct.
- 2- Check the DMX cable: Unplug the unit; change the DMX cable; then reconnect to electrical power. Try to use your DMX controller again.
- 3- Determine whether the controller or light effect is at fault. Does the controller operate properly with other DMX products? If not, take the unit to a qualified technician.

# INDICACIONES DE SEGURIDAD

1. Lea detenidamente las siguientes instrucciones y preste atención a éstas.
2. Guarde en un lugar seco y seguro este manual.
3. Siga una a una todas las instrucciones.
4. Respete las instrucciones de seguridad de su país cuando instale este dispositivo.
5. No use este dispositivo cerca del agua o zonas altamente húmedas. A la hora de limpiarlo, utilice un paño seco.
6. No instale el dispositivo cerca de ninguna fuente de calor o fuego tales como calefactores, estufas o incluso amplificadores que produzcan calor. Asegúrese de que, una vez instalado el dispositivo, esté en un lugar fresco y seco.
7. No obstruya ninguna de las salidas. Cuando instale el dispositivo hágalo tal y como lo indican estas instrucciones.
8. Proteja el cable de alimentación para no ser pisado o manipulado, particularmente en los conectores (mural y de entrada a la unidad).
9. Utilice únicamente accesorios especificados por **MARK**.
10. Desconecte el dispositivo si no va a ser utilizado durante largos periodos de tiempo.
11. El dispositivo será reparado por el servicio técnico oficial cuando esté dañado, el cable este deteriorado o el conector estropeado, así como si el dispositivo ha entrado en contacto con líquidos o no opera correctamente.
12. Para desconectar totalmente la unidad de la red eléctrica principal desconecte el cable de la toma mural eléctrica.
13. El conector principal debe poder conectarse y desconectarse de la red eléctrica de manera fácil.
14. **ATENCIÓN.** Para reducir el riesgo de fuego o shock eléctrico, no exponga este dispositivo bajo la lluvia o la humedad.
15. No exponga este equipo a líquidos, ni salpicaduras, así como su ubicación cerca de recipientes o posibles fuentes con líquidos.
16. Si la unidad va a ser volada en un truss, por favor, siga las recomendaciones incluidas en este manual de usuario

# VISTA GENERAL

**MBAR 3250 W** es una barra de iluminación que incluye 10x LEDs de 5W cada uno y blanco cálido (temperatura de color 3200K).

La interfaz de configuración tiene una pantalla con toda la información y los botones para navegar por los menús, seleccionando parámetros como la selección de los 17 programas automáticos y otros 17 programas de audio, el nivel manual de dimerización y el control del efecto estroboscópico.

El dispositivo incluye el modo DMX (1, 3, 5, 10 y 15 canales) con un nivel de atenuación individual de cada LED, y la activación de programas automáticos y de audio.

Su bastidor basculante permite colocar la barra en paredes, techo o incluso en el suelo y dirigir el haz al lugar deseado aprovechando el ángulo del haz de 6°.

## Datos Técnicos:

Alimentación	AC 100-240 V 50/60 Hz
Fuente lumínica	10x LEDs de 5W cada uno, Blanco cálido (3200K)
Dimmer	0-100 ajuste lineal
Angulo del haz	6°
Canales DMX	1, 3, 5, 10 y 15 canales
Modos	DMX 512 /Manual/Audio/Auto/Master-slave
Conector de entrada	3 pin XLR
Conector de salida	3 pin XLR
Dimensiones (AnxAIxPr)	995 x 180 x 80 mm
Peso	3 Kg

## Características:

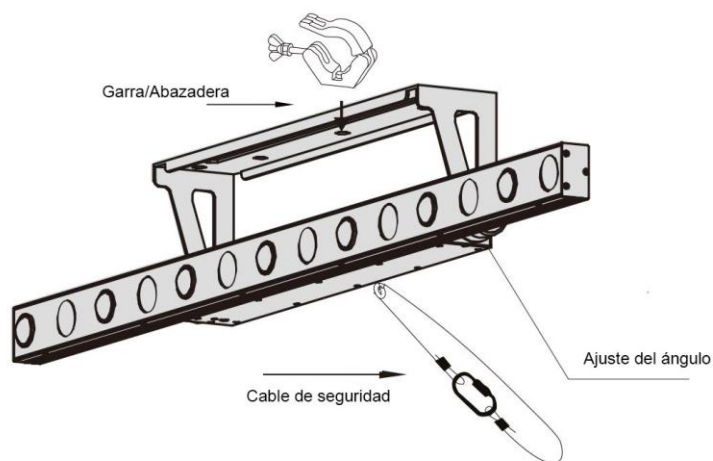
- Barra de iluminación que incluye 10x LEDs de 5W cada uno, Blanco cálido (3200K)
- Display e interfaz para configuración de funciones.
- 17 programas automáticos y 17 programas de audio.
- Función strobo.
- Bastidor de fijación ajustable.

# INSTALACIÓN

Este producto sólo es adecuado para uso profesional. Este dispositivo debe mantenerse seco para evitar la humedad, el sobrecalentamiento o el ambiente polvoriento. Asegúrese que la unidad no entre en contacto con agua o cualquier otro líquido.

**MBAR 3250 W** se puede colocar en una superficie plana y estable o en un soporte, pero el modo de funcionamiento común es el rigging en un sistema truss. Por favor, compruebe y siga las siguientes recomendaciones para un uso seguro de este dispositivo:

- El sistema de truss debe ser construido de tal manera que pueda soportar 10 veces el peso de todos los elementos de rigging durante 1 hora sin causar deformación.
- El sistema de fijación (abrazaderas o garras) debe ser capaz de soportar hasta 10 veces el peso del dispositivo.
- El dispositivo debe asegurarse siempre con un accesorio de seguridad, p. e. un cable de acero.
- El operador debe comprobar que la instalación cumple con las normas de seguridad y la instalación del dispositivo es aprobada por un experto en la materia.



## Conexión DMX

Para el conexionado DMX debe utilizar el cable de par trenzado blindado profesional. El cable de altavoz estándar no es fiable para controlar los datos a grandes distancias. El cable 24AWG es adecuado para distancias de hasta 300m, a partir de esta distancia se debe utilizar un amplificador de señal DMX.

No sobrecargue la conexión. Una conexión continua sólo puede soportar hasta **30 dispositivos**. En todo caso se recomienda la utilización de un splitter DMX para distribuir la señal sin pérdida de integridad.

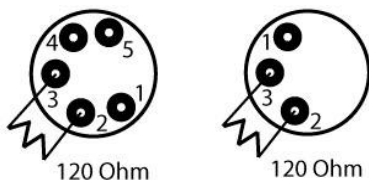
Conecte el terminal de entrada DMX512 al controlador. Después, conecte el terminal de salida al siguiente dispositivo. Repita el paso anterior para conectar otro dispositivo y así sucesivamente. Para evitar errores en el sistema, el último dispositivo de una cadena DMX debe estar equipado con una resistencia de terminación (120 Ohmios, 1/4 W).

## Ocupación de los pines

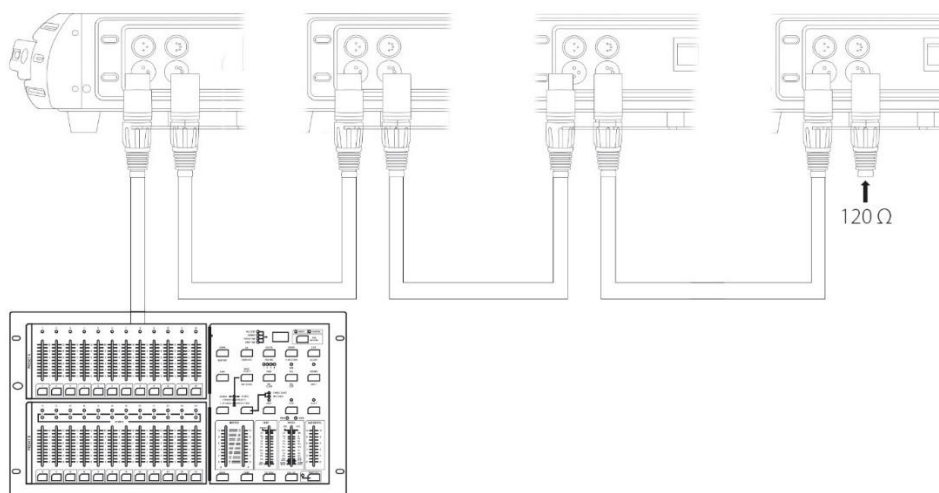
Pin 1: Masa

Pin 2: Pin -

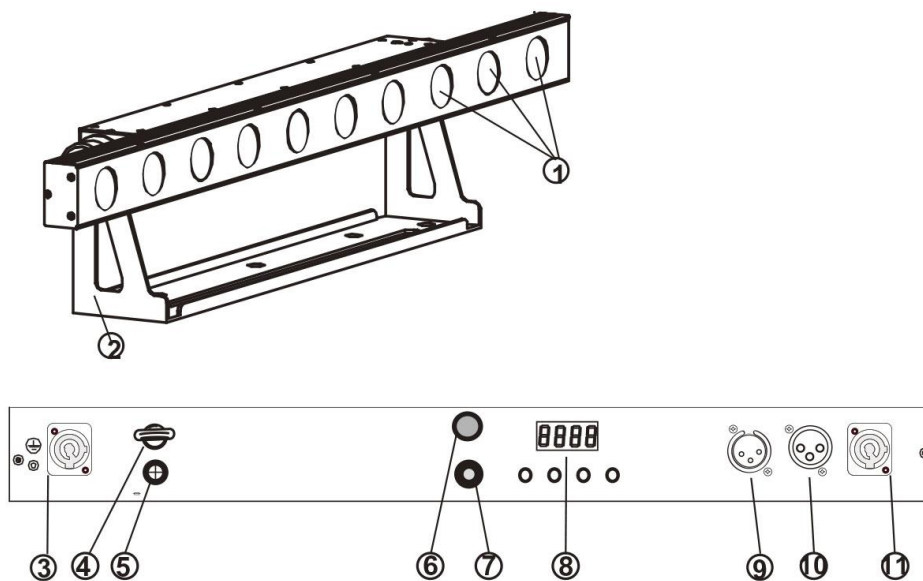
Pin 3: Pin +



Para conectar más de una unidad, siga el siguiente esquema. La salida de la primera unidad se conecta a la entrada de la siguiente y así sucesivamente, de esta manera es posible enviar la señal a todos los dispositivos de la cadena.



## INSTRUCCIONES DE USO



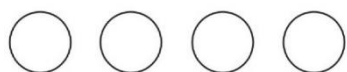
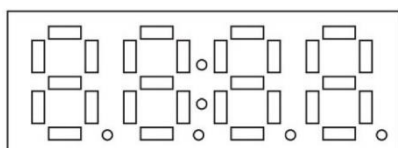
1. LEDs :LEDs de 5W LEDs. 3200K de temperatura de color x 10 piezas.
2. Asa: Para el transporte del dispositivo
3. Entrada de alimentación: Conector Neutrik azul para la entrada de alimentación.

4. Argolla de seguridad: Fije aquí un cable de seguridad
5. Fusible: 50V 1.6A fundido lento.
6. Sensibilidad: Control rotativo para la sensibilidad de audio.
7. Micrófono: Capta la señal de audio para ejecutar programas internos. Ajuste de la sensibilidad con el mando (6).
8. Display: para la configuración del dispositivo
9. Entrada DMX: Conector 3PIN macho XLR para comunicación DMX.
10. Salida DMX: Conector 3PIN hembra XLR para comunicación DMX.
11. Salida de alimentación: Conector Neutrik blanco para la salida de alimentación. Conecte una nueva unidad.

## USO AVANZADO

### PANEL DE CONTROL

**MBAR 3250 W** permite ser configurado de diferentes maneras, gracias a su panel y botones de selección.



**MENU UP DOWN ENTER**

Presione el botón MENU (una o varias veces) hasta llegar a la función deseada (según el siguiente cuadro), y presione ENTER para confirmar su selección. Utilice los botones UP y DOWN para navegar entre cada función para seleccionar el valor correcto. (Pulse ENTER para confirmar la configuración).

En la siguiente tabla se muestran todas las opciones para configurar el **MBAR 3250W** en la interfaz del menú:

	Display	Función
AUT	AP01-AP17/ AM01	Programas en Auto (Modo Master)
		S.01-s.99 Velocidad (incremento)
SOU	SP01-SP17/SM01	Programas controlados por audio (Modo Master)
MAN	MANU	W.000-W.255 (Dimmer LED) (Modo Master)
		S.001-S.098 (Strobo LED) (Modo Master) S.000 encendido total
		S.100 Control por audio
DMX	dXXX	D001 (1 canal) /D003 (3 canales) D005 (5 canales)
		D010 (10 canales) D015 (15 canales)
SLA	Slav	Configura el dispositivo como esclavo
SYS	M-EN	ON/OFF Configura el dispositivo en modo Master
	REST	YES/NO Restaura los valores de fábrica



## MODO DE CONTROL DMX

Las siguientes tablas muestran las funciones de los diferentes modos DMX:

### Modo 1 canal

No	Función	Descripción	Valor
1	PATRONES	Sin función	000 - 009
		1	010 - 022
		2	023 - 035
		3	036 - 048
		4	049 - 061
		5	062 - 074
		6	075 - 087
		7	088 - 100
		8	101 - 113
		9	114 - 126
		10	127 - 139
		11	140 - 152
		12	153 - 165
		13	166 - 178
		14	179 - 191
		15	192 - 204
		16	205 - 217
		17	218 - 230
	Auto con incremento de velocidad	231 - 243	
	Audio	244 - 255	

### Modo 3 canales

No	Función	Descripción	Valor
1	PATRONES	Sin función	000 - 009
		1	010 - 022
		2	023 - 035
		3	036 - 048
		4	049 - 061
		5	062 - 074
		6	075 - 087
		7	088 - 100
		8	101 - 113
		9	114 - 126
		10	127 - 139
		11	140 - 152
		12	153 - 165
		13	166 - 178
		14	179 - 191
		15	192 - 204
		16	205 - 217
		17	218 - 230
	Auto con incremento de velocidad	231 - 243	

No	Función	Descripción	Valor
		Audio	244 - 255
2	VELOCIDAD	Incremento de velocidad	000 - 247
		Control por audio	248 - 255
3	STROBO	Sin función	000 - 009
		Strobo, con incremento de velocidad	010 - 247
		Incremento de velocidad	248 - 255

### Modo 5 canales

No	Función	Descripción	Valor
1	DIMMER	Master dimmer	000 - 255
2	EFECTOS STROBO	Sin función, LEDs encendidos	000 - 009
		Efecto pulsación con incremento de velocidad	010 - 058
		Efecto strobe con incremento de velocidad	059 - 107
		Efecto pulsación aleatoria con incremento de velocidad	108 - 156
		Un LED cada vez con incremento de velocidad	157 - 205
		Un LED cada vez aleatoriamente con incremento de velocidad	206 - 255
3	PATRONES	Sin función	000 - 009
		1	010 - 022
		2	023 - 035
		3	036 - 048
		4	049 - 061
		5	062 - 074
		6	075 - 087
		7	088 - 100
		8	101 - 113
		9	114 - 126
		10	127 - 139
		11	140 - 152
		12	153 - 165
		13	166 - 178
		14	179 - 191
		15	192 - 204
		16	205 - 217
		17	218 - 230
			Auto con incremento de velocidad
	Audio	244 - 255	
4	VELOCIDAD	Incremento de velocidad	000 - 247
		Control por audio	248 - 255
5	STROBO	Sin función	000 - 009
		Strobo, con incremento de velocidad	010 - 247
		Incremento de velocidad	248 - 255

## Modo 10 canales

No	Función	Descripción	Valor
1	Intensidad LED 1	Intensidad LED 1 (0-100%)	000 - 255
2	Intensidad LED 2	Intensidad LED 2 (0-100%)	000 - 255
3	Intensidad LED 3	Intensidad LED 3 (0-100%)	000 - 255
4	Intensidad LED 4	Intensidad LED 4 (0-100%)	000 - 255
5	Intensidad LED 5	Intensidad LED 5 (0-100%)	000 - 255
6	Intensidad LED 6	Intensidad LED 6 (0-100%)	000 - 255
7	Intensidad LED 7	Intensidad LED 7 (0-100%)	000 - 255
8	Intensidad LED 8	Intensidad LED 8 (0-100%)	000 - 255
9	Intensidad LED 9	Intensidad LED 9 (0-100%)	000 - 255
10	Intensidad LED 10	Intensidad LED 10 (0-100%)	000 - 255

## Modo 15 canales

No	Función	Descripción	Valor
1	Intensidad LED 1	Intensidad LED 1 (0-100%)	000 - 255
2	Intensidad LED 2	Intensidad LED 2 (0-100%)	000 - 255
3	Intensidad LED 3	Intensidad LED 3 (0-100%)	000 - 255
4	Intensidad LED 4	Intensidad LED 4 (0-100%)	000 - 255
5	Intensidad LED 5	Intensidad LED 5 (0-100%)	000 - 255
6	Intensidad LED 6	Intensidad LED 6 (0-100%)	000 - 255
7	Intensidad LED 7	Intensidad LED 7 (0-100%)	000 - 255
8	Intensidad LED 8	Intensidad LED 8 (0-100%)	000 - 255
9	Intensidad LED 9	Intensidad LED 9 (0-100%)	000 - 255
10	Intensidad LED 10	Intensidad LED 10 (0-100%)	000 - 255
11	DIMMER	Master dimmer	000-255
12	EFECTOS STROBO	Sin función, LEDs encendidos	000-009
		Efecto pulsación con incremento de velocidad	010-058
		Efecto strobe con incremento de velocidad	059-107
		Efecto pulsación aleatoria con incremento de velocidad	108-156
		Un LED cada vez con incremento de velocidad	157-205
		Un LED cada vez aleatoriamente con incremento de velocidad	206-255
13	PATRONES	Sin función	000-009
		1	010-022
		2	023-035
		3	036-048
		4	049-061
		5	062-074
		6	075-087
		7	088-100
		8	101-113
		9	114-126
		10	127-139
		11	140-152
		12	153-165
		13	166-178

No	Función	Descripción	Valor
		14	179 - 191
		15	192 - 204
		16	205 - 217
		17	218 - 230
		Auto con incremento de velocidad	231 - 243
		Audio	244 - 255
14	VELOCIDAD	Incremento de velocidad	000 - 247
		Control por audio	248 - 255
15	STROBO	Sin función	000 - 009
		Strobo, con incremento de velocidad	010 - 247

## PRECAUCIONES

### Prevención frente a shock eléctrico

La conexión eléctrica al dispositivo debe ser realizada por personal cualificado. Antes de instalar, asegúrese de conectarla a una red eléctrica que trabaje bajo los mismos parámetros que **MBAR 3250W** (AC 100-240V/50-60Hz). Cada dispositivo debe ser adecuadamente conectado a una toma de tierra de acuerdo con las normas establecidas. No use la unidad durante una tormenta eléctrica.

### Prevención frente incendios

1. Nunca instale el dispositivo cerca de una fuente de combustión.
2. El equipo debe instalarse lejos de materiales inflamables y explosivos.
3. Deje al menos 0,5 m alrededor de la unidad para su ventilación.
4. No cubra la lente.
5. Si cambia alguna de las partes del dispositivo hágalo siempre con repuestos originales. Para ello contacte a su proveedor **MARK**.

**Desempaquetado:** Antes de desembalar compruebe si ha habido daños y se han debido al transporte o no. Si encuentra algún daño, no utilice este dispositivo y póngase en contacto con el distribuidor de **MARK**.

# POSIBLES PROBLEMAS Y SOLUCIÓN

Esta guía pretende ayudar a resolver problemas simples y comunes que pueden aparecer en el uso del dispositivo. Si los problemas persisten, no intente abrir y reparar la unidad por sí solo, contacte con su distribuidor más cercano y devuélvalo para su reparación.

Si el dispositivo tiene un problema, siga los siguientes puntos hasta que lo encuentre y pueda solucionarlo. Si la iluminación no funciona correctamente, envíe el dispositivo al servicio técnico **MARK**.

**Si el dispositivo no enciende:** Posibles problemas: Fuente de alimentación.

- 1- Fuente de alimentación: Asegúrese de que la unidad esté correctamente conectada.
- 2- Compruebe que el fusible no está dañado. En caso de estarlo, reemplácelo por otro de las mismas características. Si una vez reemplazado vuelve a fundirse y la unidad sigue sin funcionar, contacte con el servicio técnico de **MARK**.
- 3- Si todo lo anterior es correcto, puede conectar la unidad a la red eléctrica.
- 4- Si usted no puede determinar la causa de los problemas que presenta la unidad, no la desmonte o intente reparar por sí mismo ya que perderá la garantía.
- 5- Devuelva la unidad a servicio técnico de **MARK**.

**Si no responde el protocolo DMX:** Posibles problemas: Verifique que el cable de conexión DMX está correctamente conectado, verifique que el cable no está defectuoso o que el controlador funciona correctamente.

- 1- Verifique las características DMX y que la dirección asignada es correcta.
- 2- Verifique el cable DMX: Desinstale la unidad, cambie el cable DMX y vuelva a conectar el dispositivo a la red eléctrica. Verifique de nuevo el control DMX.
- 3- Determine si el control está defectuoso. ¿El dispositivo opera correctamente con otras unidades DMX? Si no es así, lleve la unidad a ser reparada al servicio técnico oficial o a un técnico cualificado.



Av. Saler nº14 Poligono. Ind. L'Alteró. Silla 46460 VALENCIA-SPAIN

Tel: +34 961216301

[www.equipson.es](http://www.equipson.es)